

RT1640LS Transformer User Manual

Product Introduction

Please make sure that the model you use, which is our model RT1640LS, this model is 16 Vac 40W output. Conversion efficiency of this model is more than 75%, with output over-current protection, short circuit protection, over-voltage protection etc.

Technical Parameters

Input voltage: 120Vac 60Hz
Input current: 170mA
No-load loss: 3W

Output voltage: 16 Vac
Output watts: 40W

Using environment

Operating temp: -10~45°C
Operating humidity: 20~90%RH, Non-condensing

Storage temp: -20~85°C
Storage humidity: 10~95%RH

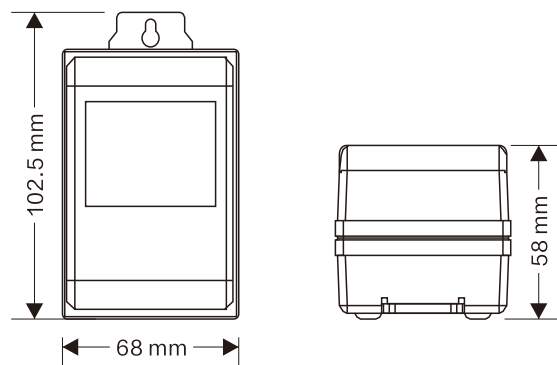
Safety

1. Safety specification: TUVEN60950-1; Certificate GB8898-2011
2. Test Voltage: 3000V
3. Insulation Resistance: 100MOhms/500VDC
4. EMC: EN55015, EN61000-3-2, GB17625.1-2012, GB13837-2012

Appearance

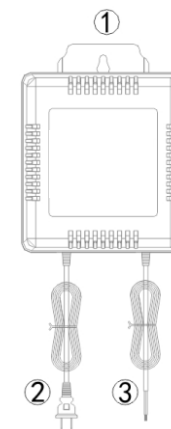
1. Size: L102.5mm*W68mm*H58mm
2. Input: 2PIN USA PLUG (Can be customized)
3. Output: 5.5*2.1*9.5mm Bare wire (Can be customized)

Appearance dimension drawing



Connecting Diagram

NO	NAME	SPECIFICATION
1	HOLES	FIXATION
2	AC INPUT	AC 120V
3	AC OUTPUT	AC 16V



Attention

1. The plug and socket to disconnect device, the attention when installation should keep can easily operate
2. Please make sure that input and output wire is correct in order to avoid damage device before using.
3. During using, if this model is not available for your equipment required power, please let us know, we will provide the available model.
4. Do not install the power supply to the sun, heat, rain and too dusty places, and as far as possible in the position of the ventilation installation, don't file the cooling window during installation
5. Do not use in water or splashing water droplets.

Picture

