



**Hewlett Packard
Enterprise**

HPE ProLiant MicroServer Gen10 User Guide

Abstract

This document is for the person who installs, administers, and troubleshoots servers and storage systems. Hewlett Packard Enterprise assumes you are qualified in the servicing of computer equipment and trained in recognizing hazards in products with hazardous energy levels.

Part Number: 872677-004
Published: November 2018
Edition: 4

Notices

The information contained herein is subject to change without notice. The only warranties for Hewlett Packard Enterprise products and services are set forth in the express warranty statements accompanying such products and services. Nothing herein should be construed as constituting an additional warranty. Hewlett Packard Enterprise shall not be liable for technical or editorial errors or omissions contained herein.

Confidential computer software. Valid license from Hewlett Packard Enterprise required for possession, use, or copying. Consistent with FAR 12.211 and 12.212, Commercial Computer Software, Computer Software Documentation, and Technical Data for Commercial Items are licensed to the U.S. Government under vendor's standard commercial license.

Links to third-party websites take you outside the Hewlett Packard Enterprise website. Hewlett Packard Enterprise has no control over and is not responsible for information outside the Hewlett Packard Enterprise website.

Acknowledgments

Microsoft® and Windows® are either registered trademarks or trademarks of Microsoft Corporation in the United States and/or other countries.

Linux® is the registered trademark of Linus Torvalds in the U.S. and other countries.

ClearCenter™, ClearOS™, and ClearVM™ are trademarks of ClearCenter.

Contents

Component identification.....	6
Front panel components.....	6
Front panel LEDs and buttons.....	7
Rear panel components.....	8
Rear panel LEDs.....	9
System board components.....	10
DIMM slot locations.....	11
DIMM identification.....	11
PCIe slot description.....	13
Drive numbering.....	14
Drive screws.....	14
Setup.....	15
Optional services.....	15
Initial server installation.....	15
HPE Installation Service.....	15
Setting up the server.....	16
Optimum environment.....	19
Site requirements.....	19
Space and airflow requirements.....	19
Temperature requirements.....	19
Power requirements.....	19
Electrical grounding requirements.....	20
Server warnings and cautions.....	20
Electrostatic discharge.....	21
Setting up RAID using the Marvell BIOS Utility.....	21
Setting up RAID using the HPE Rapid Setup Software.....	23
Installing an operating system.....	23
Install an OS using the HPE Rapid Setup Software.....	24
Install an OS from a bootable installation media.....	24
Operations.....	25
Power up the server.....	25
Power down the server.....	25
Prepare the server for hardware installation or removal.....	25
Prepare the server for operation.....	25
Remove the front bezel.....	26
Removing a locked front bezel.....	26
Removing an unlocked front bezel.....	27
Install the front bezel.....	28
Remove the chassis cover.....	29
Install the chassis cover.....	30
Install the chassis cover.....	30
Install the system board assembly.....	30
Install the system board assembly.....	30
Remove the system board assembly.....	32
Remove the system board assembly.....	32

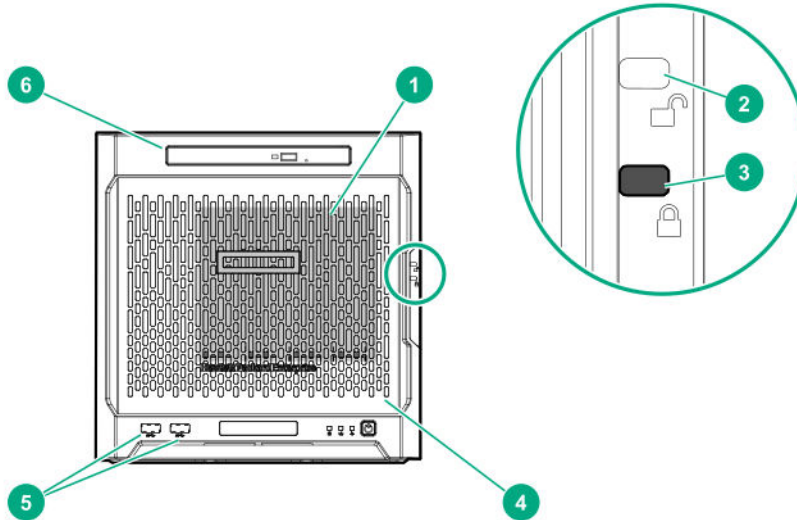
Hardware options installation.....	34
Introduction.....	34
Drive options.....	34
Drive support information.....	34
Drive installation guidelines.....	34
Installing an LFF drive.....	35
Installing an SFF drive.....	36
Media bay options.....	40
Installing an SSD.....	40
Installing an optical drive.....	44
Memory support.....	48
DIMM population information.....	48
DIMM ranks	49
DIMM handling guidelines.....	49
DIMM installation guidelines.....	49
Installing a DIMM.....	49
Storage controller options.....	50
Installing a Smart Array storage controller.....	51
Expansion board options.....	52
Installing an expansion board.....	52
Internal USB device options.....	55
Install an internal USB device.....	56
External HPE RDX Backup System option.....	56
HP Trusted Platform Module.....	57
Trusted Platform Module (TPM) — China Import Restrictions.....	57
HP Trusted Platform Module guidelines.....	57
Installing the Trusted Platform Module overview.....	58
Installing the Trusted Platform Module board.....	58
Retaining the recovery key/password.....	59
Enabling the Trusted Platform Module.....	60
Cabling.....	61
Cabling overview	61
Four-bay non-hot-plug drive cabling.....	61
SSD cabling.....	62
Optical drive cabling.....	63
Fan cabling.....	63
Power supply cabling.....	64
Software and configuration utilities.....	65
Server mode.....	65
Product QuickSpecs.....	65
Aptio Setup Utility.....	65
Using the Aptio Setup Utility	65
Boot option control.....	66
Restoring and customizing configuration settings.....	66
Clearing the BIOS configuration settings.....	67
Embedded UEFI Shell	69
Secure Boot configuration	69
Marvell BIOS Utility.....	69
Accessing the Marvell BIOS Utility under UEFI boot mode.....	69
Accessing the Marvell BIOS Utility under legacy boot mode.....	70

Marvell Storage Utility	70
Installing the Marvell Storage Utility.....	70
HPE Smart Storage Administrator.....	71
USB support	71
Keeping the system current.....	72
Firmware	72
Firmware update.....	72
Drivers, firmware, and software updates	74
Operating System Version Support.....	74
HPE Pointnext Portfolio.....	74
Proactive notifications.....	74
Troubleshooting.....	75
Troubleshooting resources.....	75
System battery replacement.....	76
System battery information.....	76
Replacing a system battery.....	76
Replace the system battery.....	76
Specifications.....	78
Environmental specifications.....	78
Server specifications.....	78
Power supply specifications.....	78
200 W power supply specifications.....	79
Safety, warranty, and regulatory information.....	80
Regulatory information.....	80
Local representative information.....	80
Turkey RoHS material content declaration.....	81
Ukraine RoHS material content declaration.....	81
Warranty information.....	81
Websites.....	82
Support and other resources.....	83
Accessing Hewlett Packard Enterprise Support.....	83
ClearCARE technical support.....	83
Accessing updates.....	83
Customer self repair.....	84
Documentation feedback.....	84
Acronyms and abbreviations.....	85

Component identification

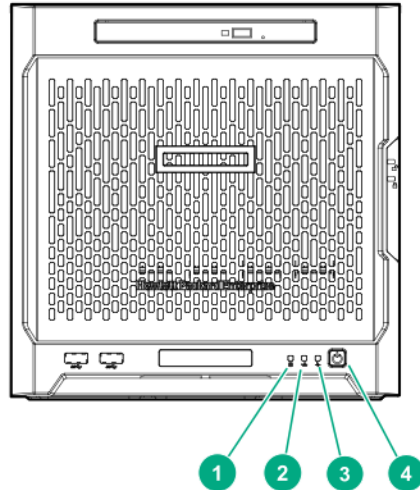
This chapter describes the external and internal server features and components.

Front panel components



Item	Component	Description
1	Drive bays (4, behind the front bezel)	By default, the drive bays support 3.5-inch LFF SATA drives. To support 2.5-inch SFF drives, install the SFF drive converter option.
2	Front bezel unlock indicator	To remove the front bezel from the chassis, this groove must show the blue indicator.
3	Front bezel lock indicator	To lock the front bezel in the chassis, this groove must show the blue indicator.
4	Front bezel	To access the front drive bays, remove this bezel.
5	USB 3.0 ports (2)	Connect USB 3.0 devices to these ports. USB 3.0 support after POST varies by operating system.
6	Media bay	When the relevant enablement options kits are installed, this bay supports either a slim-type optical disc drive or solid-state drive option.

Front panel LEDs and buttons



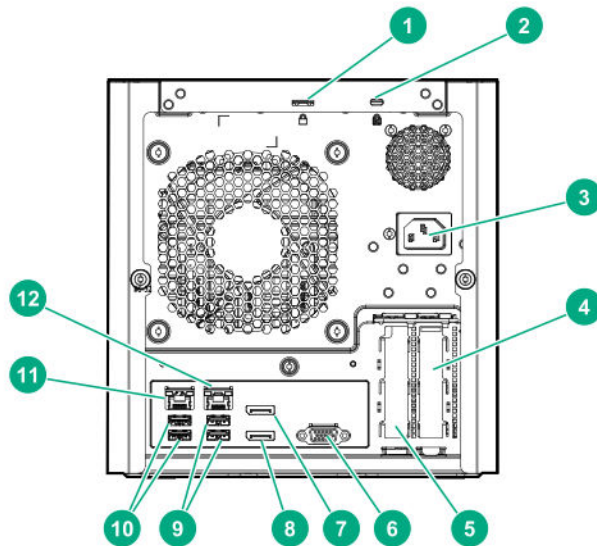
Item	Description	Status
1	Drive activity LED	<p>Flashing green = Ongoing drive activity</p> <p>Off = No drive activity</p> <p>This LED only reflects the status of LFF/SFF drives and SSD that are connected to the onboard SATA ports.</p>
2	NIC status LED	<p>Solid green = Linked to network</p> <p>Flashing green = Network active</p> <p>Off = No network activity</p> <p>This LED only reflects the status of Ethernet connections managed by the embedded Broadcom BCM5720 Gigabit Ethernet controller.</p>
3	Health LED	<p>Solid green = Normal</p> <p>Flashing amber = One or more components is in degraded condition.¹</p> <p>Flashing red = One or more components is in critical condition.¹</p>
4	Power on/Standby button and system power LED	<p>Flashing green = Ongoing power-on sequence</p> <p>Solid green = System on and normal operation</p> <p>Amber = System in standby</p> <p>Off = No power present²</p>

¹ To identify which component is in the degraded or critical state, reboot the server. A POST error message screen showing the affected component will appear for about 30 seconds. Depending on how critical the component health status is, the system boot may or may not be completed. For troubleshooting information, see the [HPE ProLiant MicroServer Gen10 Troubleshooting Guide](#).

² If the server does not power on, verify the following items:

- The site power is available.
- The power cord is properly connected to the server power jack and to a working power source.
- The internal power supply cable is properly connected to the system board.

Rear panel components



Item	Component	Description
1	Padlock eye	To lock the chassis cover and prevent access to the internal components, attach a padlock here.
2	Kensington security slot	To secure the server to a heavy or immovable object, connect an anti-theft security cable here.
3	Power jack	Connects the power cord.
4	Expansion slot 2, PCIe3 ×4 (1)	For additional hardware capabilities, install a compatible low-profile PCIe expansion board here. This expansion slot supports expansion boards with a physical connector link widths of up to ×16. ¹
5	Expansion slot 1, PCIe3 ×8 (8, 4, 1)	For additional hardware capabilities, install a compatible low-profile PCIe expansion board here. This expansion slot supports expansion boards with a physical connector link widths of up to ×16. ¹
6	Video port	Connects to an analog VGA monitor or projector.
7	Display port 1	Connects to a digital display device, such as a high-resolution set top boxes or TV displays. ²

Table Continued

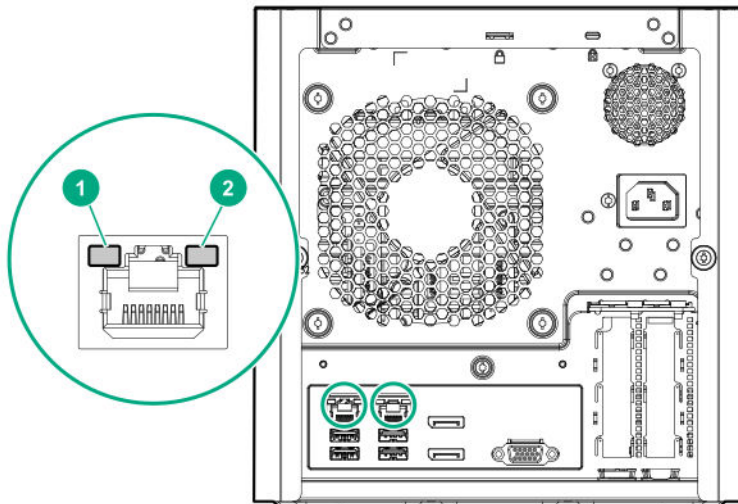
Item	Component	Description
8	Display port 2	Connects to a digital display device, such as a high-resolution set top boxes or TV displays. ²
9	USB 2.0 ports (2)	Connect USB 2.0 devices to these ports.
10	USB 3.0 ports (2)	Connect USB 3.0 devices to these ports. USB 3.0 support after POST varies by operating system.
11	NIC port 1 (1 Gb)	Connect an Ethernet cable here to connect the server to a wired network. ³
12	NIC port 2 (1 Gb)	Connect an Ethernet cable here to connect the server to a wired network. ³

¹ This expansion slot is open-ended, which enables down-plugging. Down-plugging means a larger-width expansion board can be installed in a smaller-width connector. For this server, the expansion slot supports low-profile expansion boards with a physical connector link width of up to $\times 16$. The board operates at the highest common negotiable link width specified for the slot.

² To support 4K resolution at a full 60 Hz frame rate, this Display port requires dual-channel memory configuration. Single-channel memory configuration will only support up to 30 Hz frame rate.

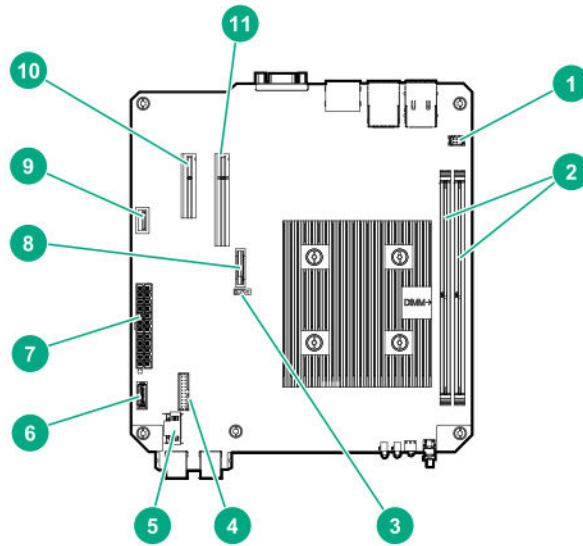
³ This NIC port supports 10/100/1000 Mbps data transfer rate per port.

Rear panel LEDs



Item	Description	Status
1	NIC link LED	Solid green = Link exists Off = No link exists
2	NIC status LED	Solid green = Linked to network Flashing green = Network active Off = No network activity

System board components



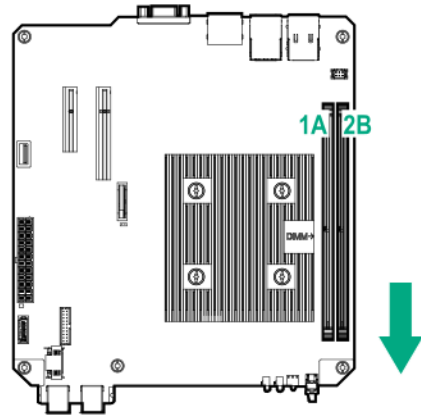
Item	Component	Description
1	Fan connector	Connects the fan cable.
2	DIMM slots	These slots support standard UDIMMs with ECC only.
3	CMOS header	Use the jumper on this header to clear the CMOS.
4	TPM connector	This connector supports the TPM 2.0 option for data security solution.
5	LFF/SFF drive SATA port	Connects the LFF/SFF drive SATA cable. ¹
6	Optical drive or SSD SATA port	Connects the optical drive or SSD SATA cable. ¹
7	System board power connector	Connects the power supply cable.
8	System battery	This battery provides power to the server real-time clock and BIOS settings.
9	Internal USB 2.0 port	Connect internal USB devices to this port.
10	Expansion slot 2, PCIe3 x4 (1)	For additional hardware capabilities, install a compatible low-profile PCIe expansion board here. This expansion slot supports expansion boards with a physical connector link widths of up to x16. ²
11	Expansion slot 1, PCIe3 x8 (8, 4, 1)	For additional hardware capabilities, install a compatible low-profile PCIe expansion board here. This expansion slot supports expansion boards with a physical connector link widths of up to x16. ²

¹ These are SATA 6Gb/s ports.

- 2 This expansion slot is open-ended, which enables down-plugging. Down-plugging means a larger-width expansion board can be installed in a smaller-width connector. For this server, the expansion slot supports low-profile expansion boards with a physical connector link widths of up to ×16. The board operates at the highest common negotiable link width specified for the slot.

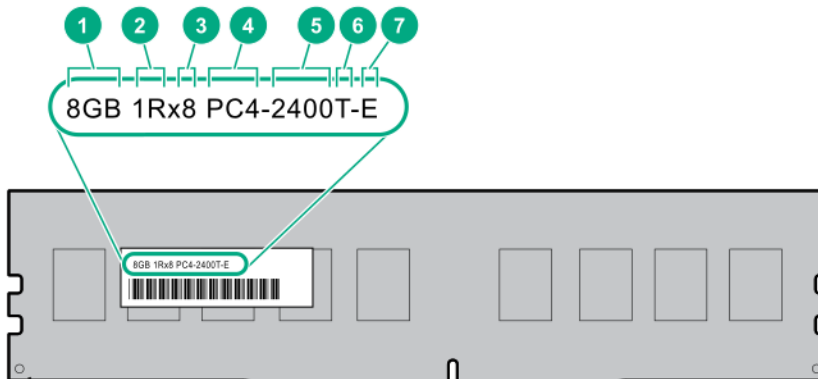
DIMM slot locations

The DIMM slots are numbered 1 and 2. The arrow in the following illustration points to the front of the server.



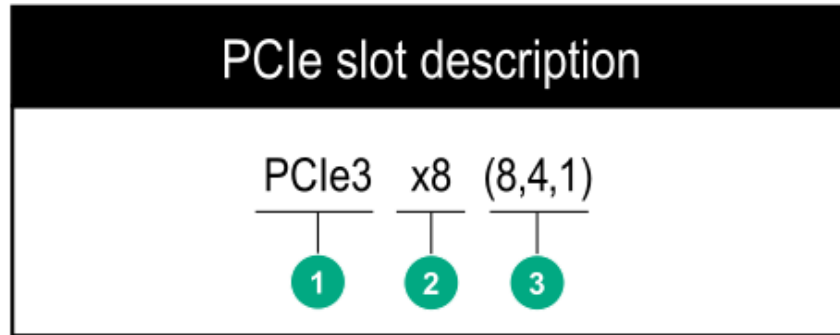
DIMM identification

To determine DIMM characteristics, see the label attached to the DIMM. The information in this section helps you to use the label to locate specific information about the DIMM.



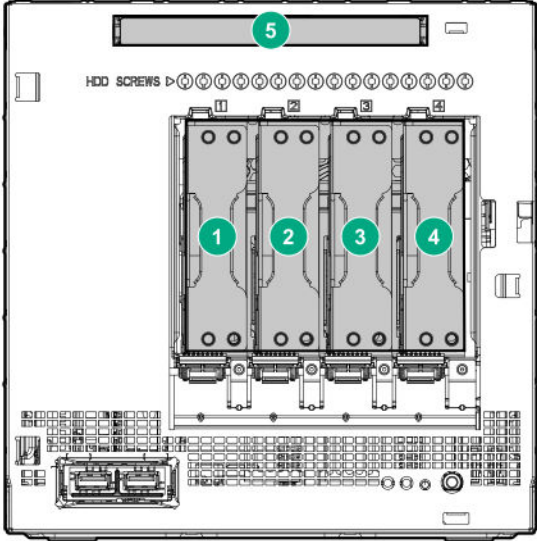
Item	Description	Definition
1	Capacity	8 GB 16 GB 32 GB 64 GB 128 GB
2	Rank	1R = Single-rank 2R = Dual-rank 4R = Quad-rank 8R = Octal-rank
3	Data width on DRAM	x4 = 4-bit x8 = 8-bit x16 = 16-bit
4	Memory generation	PC4 = DDR4
5	Maximum memory speed	2133 MT/s 2400 MT/s 2666 MT/s
6	CAS latency	P = CAS 15-15-15 T = CAS 17-17-17 U = CAS 20-18-18 V = CAS 19-19-19 (for RDIMM, LRDIMM) V = CAS 22-19-19 (for 3DS TSV LRDIMM)
7	DIMM type	R = RDIMM (registered) L = LRDIMM (load reduced) E = UDIMM (unbuffered ECC)

PCIe slot description



Item	Description	Definition
1	PCI Express version	<p>Each PCIe version corresponds to a specific data transfer rate between the processor and peripheral devices. Generally, a version update corresponds to an increase in transfer rate.</p> <ul style="list-style-type: none">• PCIe 1.x• PCIe 2.x• PCIe 3.x <p>The PCIe technology is under constant development. For the latest information, see the PCI-SIG website.</p>
2	Physical connector link width	<p>PCIe devices communicate through a logical connection called an interconnect or link. At the physical level, a link is composed of one or more lanes. The number of lanes is written with an "x" prefix with ×16 being the largest size in common use.</p> <ul style="list-style-type: none">• ×1• ×2• ×4• ×8• ×16
3	Negotiable link width	<p>These numbers correspond to the maximum link bandwidth supported by the slot.</p>

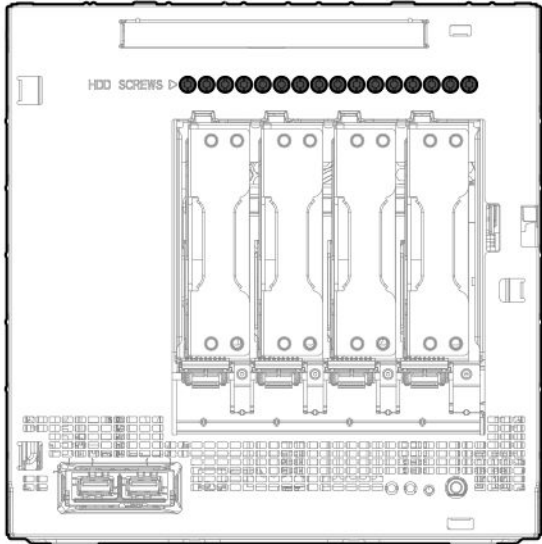
Drive numbering



Item	Description
1-4	LFF/SFF drives To support 2.5-inch SFF drives, install the SFF drive converter option.
5	Solid-state drive or optical disc drive

Drive screws

There are 16 T-15 Torx screws located above the drive bays. Use these screws to install LFF or SFF drives in the server.



Setup

Optional services

Delivered by experienced, certified engineers, HPE support services help you keep your servers up and running with support packages tailored specifically for HPE ProLiant systems. HPE support services let you integrate both hardware and software support into a single package. A number of service level options are available to meet your business and IT needs.

HPE support services offer upgraded service levels to expand the standard product warranty with easy-to-buy, easy-to-use support packages that will help you make the most of your server investments. Some of the HPE support services for hardware, software, or both are:

- Foundation Care – Keep systems running.
The time commitment for this service might vary depending on the site's geographical region. For more service information available at your site, contact your local **HPE support center**.
- Deployment service for both hardware and software.
- HPE Education Services – Help train your IT staff.

For more information on HPE support services, see the HPE Pointnext website:

<http://www.hpe.com/services>

Initial server installation

Depending on the user technical expertise and the complexity of the product, for the initial server installation, the user can choose to:

- **Order the HPE Installation Service.**
- **Perform the initial server setup procedure.**

HPE Installation Service

HPE Installation Service provides basic installation of Hewlett Packard Enterprise branded equipment, software products, as well as HPE-supported products from other vendors that are sold by HPE or by HPE authorized resellers. The Installation Service is part of a suite of HPE deployment services that are designed to give users the peace of mind that comes from knowing that their HPE and HPE-supported products have been installed by an HPE specialist.

The HPE Installation Service provides the following benefits:

- Installation by an HPE authorized technical specialist.
- Verification prior to installation that all service prerequisites are met.
- Delivery of the service at a mutually scheduled time convenient to your organization.
- Allows your IT resources to stay focused on their core tasks and priorities.
- Full coverage during the warranty period for products that require installation by an HPE authorized technical specialist.

For more information on the features, limitations, provisions, and ordering information of the HPE Installation Service, see this Hewlett Packard Enterprise website:

Setting up the server

Prerequisites

Before setting up the server:

- This server supports Class 2 UEFI implementation. UEFI Class 2 implementation supports both UEFI boot mode and legacy BIOS boot mode. The boot mode is configured in the Aptio Setup Utility. When the server is configured for UEFI boot mode, observe the appropriate operating system, boot mode, network device, and controller requirements. For more information on these requirements, see the *Important UEFI Requirements for HPE ProLiant MicroServer Gen10* on the Hewlett Packard Enterprise Information Library:

<http://www.hpe.com/info/UEFI/docs>

- Download the latest system software and firmware for the server :

<http://www.hpe.com/downloads/microservergen10>

Support validation required

- If an HPE Smart Array controller is installed, download the storage driver from the HPE Support Center website:

<http://www.hpe.com/support/hpesc>

- Verify that your OS or virtualization software is supported:

<http://www.hpe.com/info/ossupport>

- Read the operational requirements for the server:

Optional services on page 15

- Read the safety and compliance information on the HPE website:

<http://www.hpe.com/support/safety-compliance-enterpriseproducts>

Procedure

Unbox the server

1. Unbox the server and verify the contents:

- Server
- Power cord
- Printed setup documentation

Install the hardware options

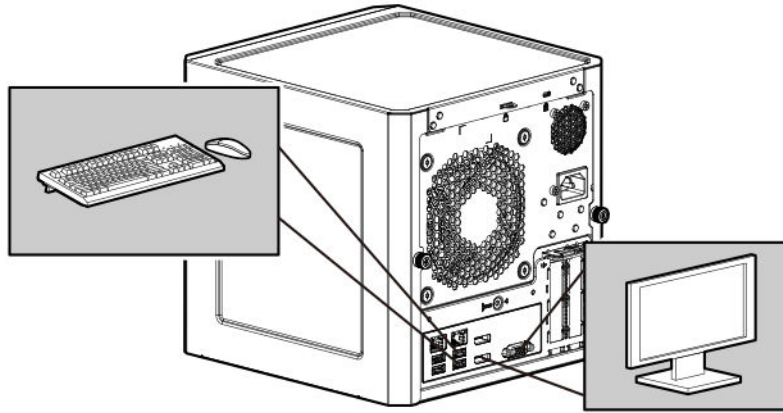
2. (Optional) Install the hardware options.

For installation instructions, see **Hardware options installation** on page 34.

Connect the I/O cables and power cord

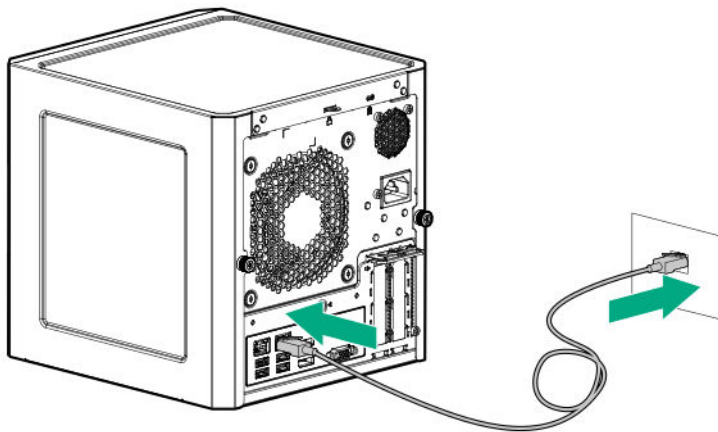
3. Connect the I/O devices:

- a. Connect a keyboard and mouse to the USB ports.
- b. Connect a monitor to the VGA or Display port.



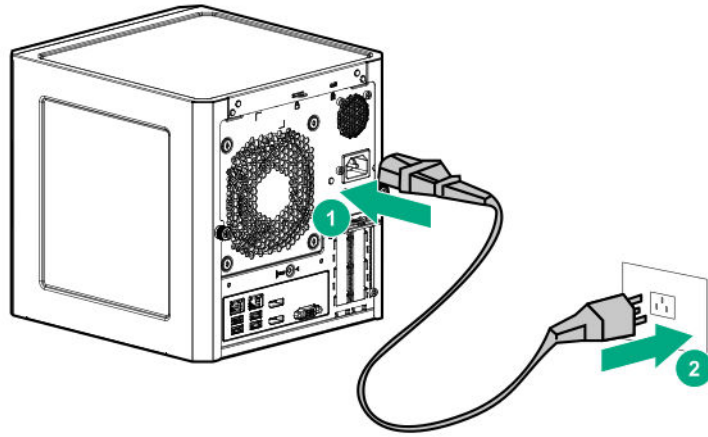
4. Connect the network cable:

- a.** Connect one end of the network cable to the NIC port.
- b.** Connect the other end of the network cable to a network jack or a network device, such as router or LAN switch.



5. Connect the power cord:

- a.** Connect the power cord to the server power jack.
- b.** Connect the power cord to the AC power source.



Power on the server

6. Press the Power On/Standby button.
7. Verify that the system power LED changes to green.
8. Update the following:
 - **System ROM**
 - Storage controller
 - Network controller

Set up the storage

9. Set up the storage. Do one of the following:
 - If the drives are connected to the onboard LFF/SFF drive SATA port, **set up RAID using the Marvell BIOS Utility.**
 - If the drives are connected to an HPE Smart Array controller option, do one of the following:
 - If the HPE Rapid Setup Software USB drive is shipped with server, **set up automatic RAID using the RSS.**
 - Set up RAID using the HPE Smart Storage Administrator. Launch the HPE SSA from an ISO image using one of the following methods:
 - Burn the image to a CD or DVD.
 - Flash the image to a USB memory key or SD card on an HPE UEFI bootable server.
 - Install the image on a PXE server.

For more information, see *HPE Smart Array SR Gen10 Configuration Guide* at the Hewlett Packard Enterprise:

<http://www.hpe.com/info/smartstorage-docs>

An SSD or optical drive installed in the media bay does not support RAID configuration.

Deploy an OS or virtualization software

10. **Install an operating system (OS).**

Register the server

11. To experience quicker service and more efficient support, register the server at the HPE website:
<https://myenterpriselicense.hpe.com>

Optimum environment

When installing the server, select a location that meets the environmental requirements described in this section.

Site requirements

The server may be located in an office space or a purpose-made equipment room. The location must:

- Comply with local health and safety regulations.
- Be clean, tidy, and free of excessive dust and vibration.
- Be in an area in which the server cannot easily be disconnected from its power source.
- Not be adjacent to or underneath any area or piece of equipment where liquid is stored.
- Not be in a place where the server might be bumped, scratched, or disturbed.
- Be within an area that is ideally locked or at minimum not accessible to unauthorized personnel.
- Be within patching distance, directly or via cable management cross-patches, of the location of the WAN connection and the switch that supplies the office/room floor network ports.

Space and airflow requirements

Leave at least a 10 cm (4 in) clearance space at the front and back of the server for proper ventilation.

⚠ CAUTION: The server draws in cool air through the ventilation openings on the front side, and expels warm air through the ventilation openings on the rear side. Do not block these openings. Failure to observe this caution will result in improper airflow and insufficient cooling that can lead to thermal damage.

Temperature requirements

To ensure continued, safe, and reliable equipment operation, install or position the system in a well-ventilated, climate-controlled environment.

The maximum recommended TMRA for most server products is 35°C (95°F). The temperature in the room where the server is located must not exceed 35°C (95°F).

⚠ CAUTION: To reduce the risk of damage to the equipment when installing third-party options:

- Do not permit optional equipment to impede airflow around the server beyond the maximum allowable limits.
- Do not exceed the manufacturer's TMRA.

Power requirements

Installation of this equipment must comply with local and regional electrical regulations governing the installation of information technology equipment by licensed electricians. This equipment is designed to operate in installations covered by NFPA 70, 1999 Edition (National Electric Code) and NFPA-75, 1992

(code for Protection of Electronic Computer/Data Processing Equipment). For electrical power ratings on options, see the product rating label or the user documentation supplied with that option.

⚠ CAUTION: Protect the server from power fluctuations and temporary interruptions with a regulating uninterruptible power supply. This device protects the hardware from damage caused by power surges and voltage spikes and keeps the system in operation during a power failure.

When installing more than one server, you might have to use additional power distribution devices to safely provide power to all devices. Observe the following guidelines:

- Balance the server power load between available AC supply branch circuits.
- Do not allow the overall system AC current load to exceed 80% of the branch circuit AC current rating.
- Do not use common power outlet strips for this equipment.
- Provide a separate electrical circuit for the server.

Electrical grounding requirements

The server must be grounded properly for proper operation and safety. In the United States, you must install the equipment in accordance with NFPA 70, 1999 Edition (National Electric Code), Article 250, as well as any local and regional building codes. In Canada, you must install the equipment in accordance with Canadian Standards Association, CSA C22.1, Canadian Electrical Code. In all other countries, you must install the equipment in accordance with any regional or national electrical wiring codes, such as the International Electrotechnical Commission (IEC) Code 364, parts 1 through 7. Furthermore, you must be sure that all power distribution devices used in the installation, such as branch wiring and receptacles, are listed or certified grounding-type devices.

Because of the high ground-leakage currents associated with multiple servers connected to the same power source, Hewlett Packard Enterprise recommends the use of a PDU that is either permanently wired to the building's branch circuit or includes a nondetachable cord that is wired to an industrial-style plug. NEMA locking-style plugs or those complying with IEC 60309 are considered suitable for this purpose. Using common power outlet strips for the server is not recommended.

Server warnings and cautions

⚠ WARNING: To reduce the risk of personal injury, electric shock, or damage to the equipment, disconnect the power cord to remove power from the server. Pressing the Power On/Standby button does not shut off system power completely. Portions of the power supply and some internal circuitry remain active until AC power is removed.

⚠ WARNING: To reduce the risk of personal injury from hot surfaces, allow the drives and the internal system components to cool before touching them.

⚠ CAUTION: Protect the server from power fluctuations and temporary interruptions with a regulating UPS. This device protects the hardware from damage caused by power surges and voltage spikes and keeps the server in operation during a power failure.

⚠ CAUTION: To prevent improper cooling and thermal damage, do not operate the server with the media bay blank, chassis cover, or the front bezel removed.

⚠ CAUTION: To prevent damage to electrical components, properly ground the server before beginning any installation procedure. Improper grounding can cause electrostatic discharge.

-
- ⚠ CAUTION:** To avoid data loss, Hewlett Packard Enterprise recommends that you back up all server data before installing or removing a hardware option, or performing a server maintenance or troubleshooting procedure.
-

Electrostatic discharge

Be aware of the precautions you must follow when setting up the system or handling components. A discharge of static electricity from a finger or other conductor may damage system boards or other static-sensitive devices. This type of damage may reduce the life expectancy of the system or component.

To prevent electrostatic damage:

- Avoid hand contact by transporting and storing products in static-safe containers.
- Keep electrostatic-sensitive parts in their containers until they arrive at static-free workstations.
- Place parts on a grounded surface before removing them from their containers.
- Avoid touching pins, leads, or circuitry.
- Always be properly grounded when touching a static-sensitive component or assembly. Use one or more of the following methods when handling or installing electrostatic-sensitive parts:
 - Use a wrist strap connected by a ground cord to a grounded workstation or computer chassis. Wrist straps are flexible straps with a minimum of 1 megohm \pm 10 percent resistance in the ground cords. To provide proper ground, wear the strap snug against the skin.
 - Use heel straps, toe straps, or boot straps at standing workstations. Wear the straps on both feet when standing on conductive floors or dissipating floor mats.
 - Use conductive field service tools.
 - Use a portable field service kit with a folding static-dissipating work mat.

If you do not have any of the suggested equipment for proper grounding, have an authorized reseller install the part.

For more information on static electricity or assistance with product installation, contact an authorized reseller.

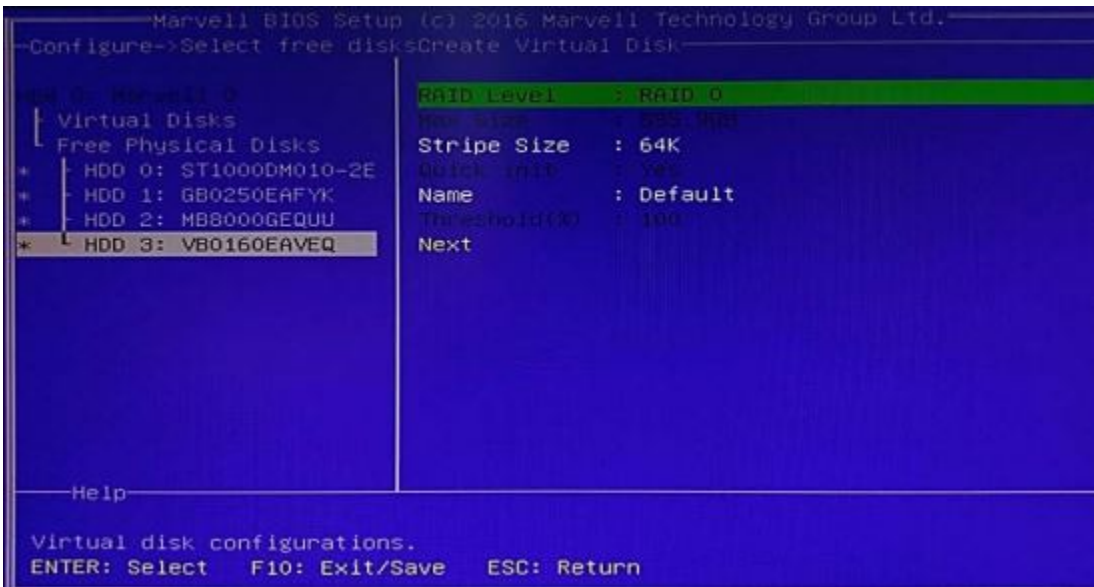
Setting up RAID using the Marvell BIOS Utility

Procedure

1. Reboot the server.
2. **Access the MBU.**
3. In the Topology pane, select **HBA 0: Marvell 0** and press the **Enter** key.
The Configuration Wizard popup appears.



4. Press the **Enter** key.
5. Use the arrow keys to scroll through the list of free physical drives.
6. To select/deselect the physical drive to use to create the drive array, press the spacebar. An asterisk (*) appears when a drive is selected.
7. After selecting the physical drives, press the **Enter** key.
8. Select the preferred RAID level and press the **Enter** key.



9. Select the stripe size for the drive array and press the **Enter** key.
10. A default name is assigned to the new drive array. To rename the drive array:

- a. Select the **Name** field.
 - b. Enter a new name.
 - c. Press the **Enter** key.
11. Select **Next**.
12. Press the **Enter** key.

A dialog box appears to confirm the drive array creation.
13. Press **Y** to create the drive array.

The new drive array appears in the Topology pane.
14. Press **F10** to save the RAID configuration.
15. If RAID was set up prior to the OS installation, **install the OS now**.

Setting up RAID using the HPE Rapid Setup Software

This server only supports the HPE RSS automatic RAID function; manual RAID configuration is not supported.

When the server boots from the USB drive, HPE RSS prompts you to select your RAID setup.

Prerequisites

- Make sure that HPE Rapid Setup Software USB drive is plugged into the server USB port.
- Make sure that the server drives are of the same size and type.

Procedure

1. Press the **F11** key when prompted during system boot.
2. Select the USB drive corresponding to the RSS USB drive from the boot menu.

The server launches the HPE Rapid Setup Software.
3. Read and accept the EULA to continue.

The software scans the server for RAID information and hardware.
4. To configure automatic RAID, click **Continue**.
5. If RAID was set up prior to the OS installation, **install the OS now**.

Installing an operating system

To install an operating system on the server, use one of the following methods:

- If the HPE Rapid Setup Software USB drive is shipped with the server, **you can use this software to install the OS**. The RSS main menu will display the available OS install images for the server.
- **Install an OS directly from the OS installation media**.

This installation media can either be an optical CD/DVD or a USB drive. If you are using an OS installation CD/DVD and the server does not have an internal optical drive installed, an external USB optical drive is required.

Install an OS using the HPE Rapid Setup Software

Use the HPE Rapid Setup Software to install the supported versions of Windows, ClearOS, ClearVM, and VMware. HPE Rapid Setup Software does not support installing a Linux operating system.

Prerequisites

- Make sure the HPE Rapid Setup Software USB drive is plugged into the server USB port.
- If you are installing a supported Windows operating system, plug the OS installation media into the server or make sure that the files are available on a network drive.

ClearOS and ClearVM are both included in the HPE Rapid Setup Software USB drive, you do not need another media source.

Procedure

1. On the HPE Rapid Setup Software main menu, select the operating system that you want to install.
2. Select the location where the operating system files are saved.
3. Navigate to the operating system installation files.
4. Follow the onscreen prompts.

Install an OS from a bootable installation media

Procedure

1. On the Aptio Setup Utility screen, select the **Boot** menu.
2. Under **Boot Option Priorities**, verify that **Boot Option #1** is set to the OS installation media device.
If it is not set, select **Boot Option #1**, press the **Enter** key, and then change the setting.
3. To confirm the change and exit the utility, press the **F4** key.
The server automatically reboots to the selected device.
4. Follow the OS installation wizard instructions.

Operations

This chapter describes the hardware operations carried out prior to and after installing or removing a hardware option, or performing a server maintenance or troubleshooting procedure.

Before performing these hardware operations, review and observe the server warnings and cautions.

Power up the server

Press the Power On/Standby button.

The server exits standby mode and applies full power to the system. The system power LED changes to green.

Power down the server

Prerequisites

Before powering down the server for any upgrade or maintenance procedures, perform a backup of critical server data and programs.

Procedure

- Press and release the Power On/Standby button.

This method initiates a controlled shutdown of applications and the OS before the server enters standby mode.

- Press and hold the Power On/Standby button for more than 4 seconds to force the server to enter standby mode.

This method forces the server to enter standby mode without properly exiting applications and the OS. If an application stops responding, you can use this method to force a shutdown.

The system power LED changes to red indicating that the server is in standby mode. Auxiliary power is still present in the system in this mode.

Prepare the server for hardware installation or removal

Procedure

1. **Power down the server** on page 25.
2. Disconnect the power cord from the AC source, and then from the server.
3. Disconnect all peripheral cables from the server.
4. If installed, unlock and remove the security padlock and/or the Kensington security lock.

For more information, see the lock documentation.

Prepare the server for operation

Procedure

1. If removed, attach the security padlock and/or the Kensington security lock.

For more information, see the lock documentation.

2. Connect all peripheral cables to the server.
3. Connect the power cord to the server power jack, and then to the AC source.
4. Secure the power cord and rear panel cables based on the standard cable management practices.
5. **Power up the server** on page 25.

Remove the front bezel

To access the drive bays, remove the front bezel.

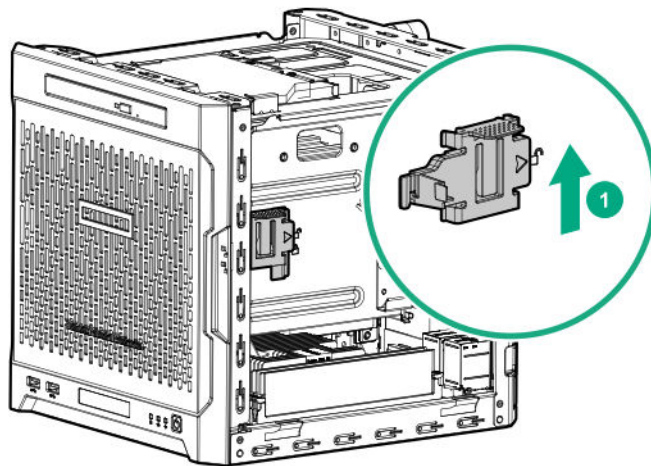
Removing a locked front bezel

Prerequisites

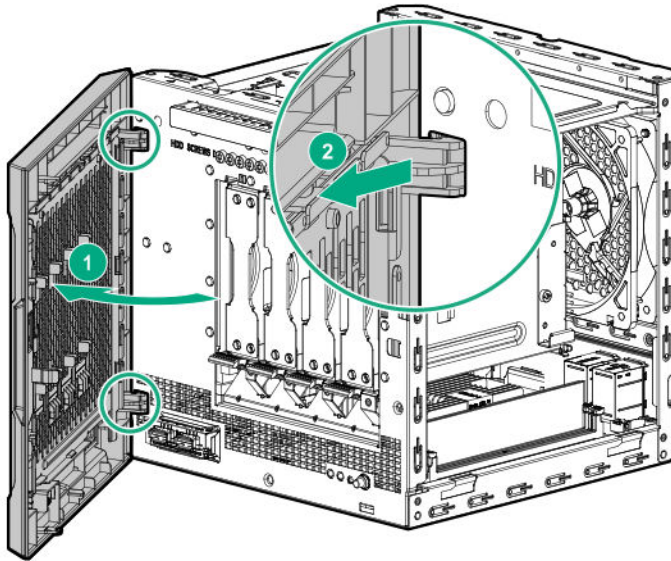
1. **Power down the server** on page 25.
2. Disconnect the power cord from the AC source, and then from the server.
3. Disconnect all peripheral cables from the server.
4. **Remove the chassis cover** on page 29.

Procedure

1. To unlock the front bezel from the chassis, slide the release tab upward.



2. Open the front bezel.
The front bezel is a removable part. Opening the bezel will loosen it from the front panel.
3. To completely detach the bezel from the front panel, pull the bezel hinges from the chassis.
Retain the bezel for later use.



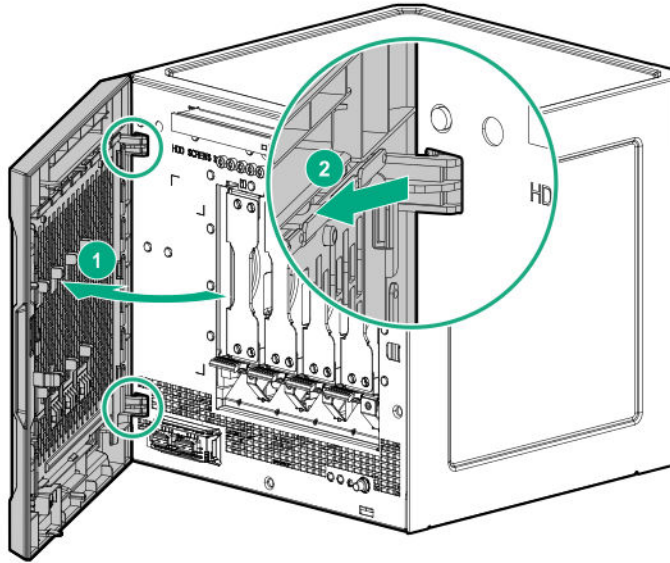
Removing an unlocked front bezel

Prerequisites

1. **Power down the server** on page 25.
2. Disconnect the power cord from the AC source, and then from the server.
3. Disconnect all peripheral cables from the server.

Procedure

1. Open the front bezel.
The front bezel is a removable part. Opening the bezel will loosen it from the front panel.
2. To completely detach the bezel from the front panel, pull the bezel hinges from the chassis.
Retain the bezel for later use.

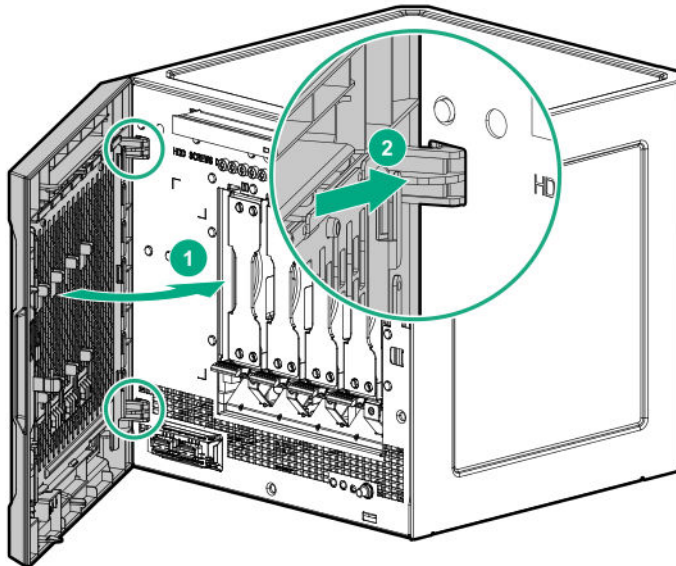


Install the front bezel

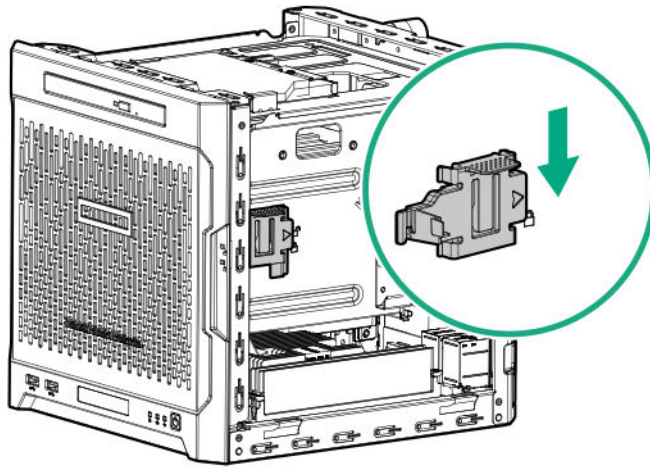
To cover the drive bays, install the front bezel.

Procedure

1. Attach the bezel to the front panel, and then close it.



2. If you prefer to secure the bezel to the chassis, do the following:
 - a. If installed, **remove the chassis cover**.
 - b. Slide the release tab downwards to lock the bezel to the chassis.



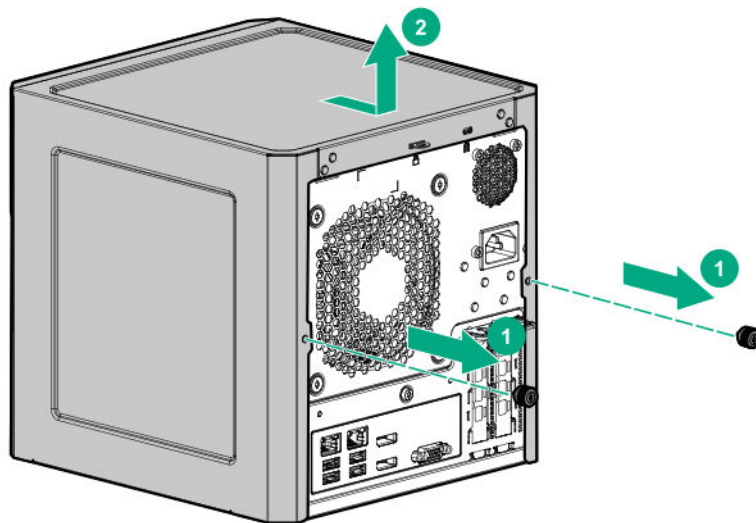
c. **Install the chassis cover** on page 30.

Remove the chassis cover

To access the front bezel lock and the internal components, remove the chassis cover.

Procedure

1. If installed, unlock and remove the security padlock and/or the Kensington security lock.
For more information, see the lock documentation.
2. Remove the chassis cover thumbscrews.
If the thumbscrews are too tight, use a T-15 screwdriver to remove it.
3. Slide the chassis cover toward the rear panel, and then lift it from the server.



Install the chassis cover

To prevent access to the front bezel lock and the internal components, install the chassis cover.

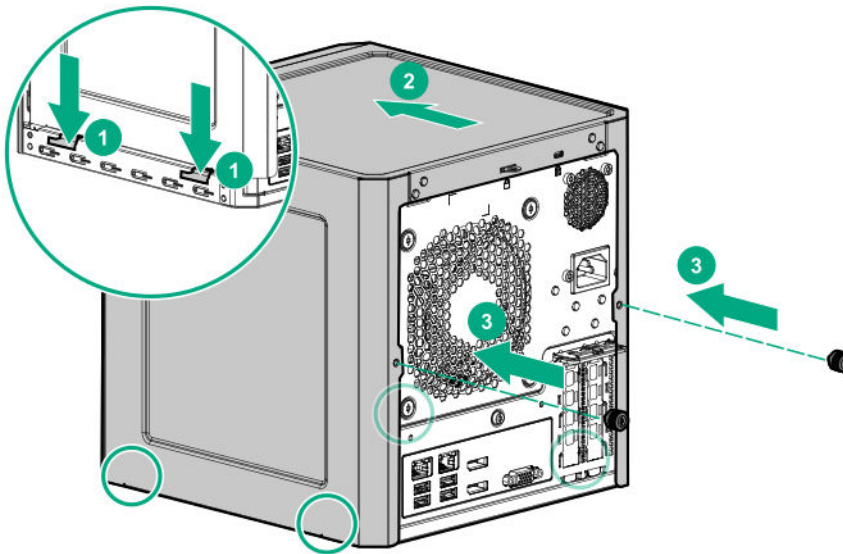
Install the chassis cover

Prerequisites

1. Verify that all internal cables are properly connected and are secured in their respective cable ties.
2. Verify that the drive cables are not blocking the fan blades.

Procedure

1. Insert the tabs on the bottom left and right sides of the chassis cover into the corresponding slots on the chassis.
2. Slide the chassis cover towards the front panel.
3. Install the chassis thumbscrews.



4. If removed, install the security padlock and/or the Kensington security lock.
For more information, see the lock documentation.

Install the system board assembly

To secure the system board inside the chassis, install the system board assembly.

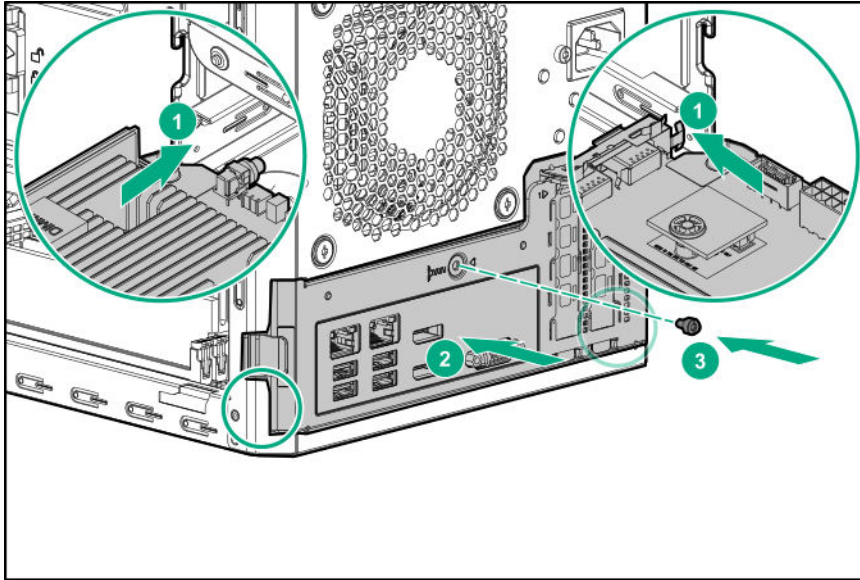
Install the system board assembly

Prerequisites

Before you perform this procedure, make sure that you have a T-15 Torx screwdriver available.

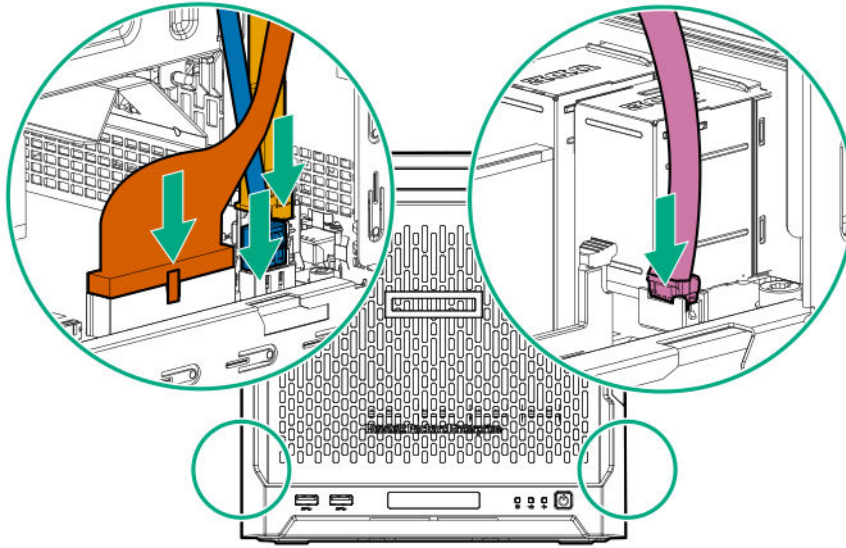
Procedure

1. Slide the system board assembly into the chassis.
2. Press against the system board assembly until it clicks into place.
3. Install the system board assembly screw.



4. Connect the following system cables:

- Power supply cable
- Optical drive or SSD SATA cable (optional)
- LFF/SFF drive SATA cable – This cable can either be connected to the system board or to an installed Smart Array storage controller board.
- Fan cable



5. If removed, install the internal USB device.

Remove the system board assembly

To install or remove hardware components on the system board or to access the CMOS header, remove the system board assembly.

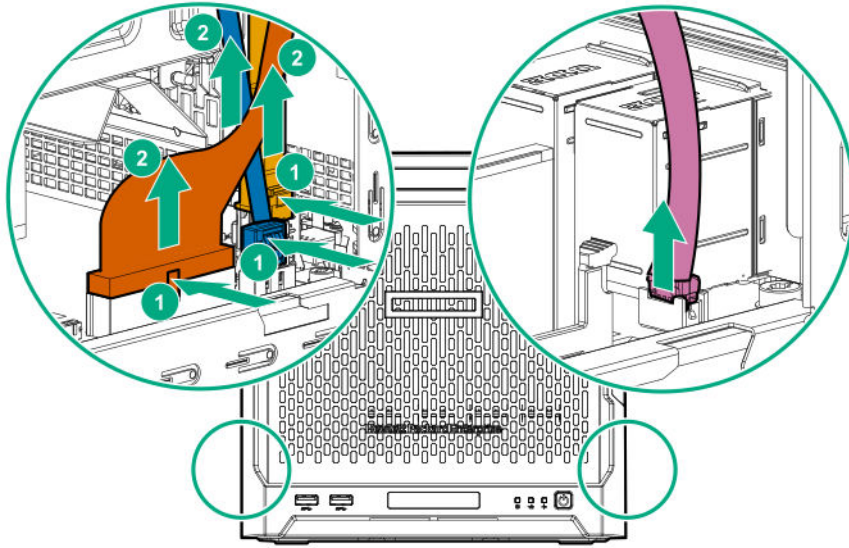
Remove the system board assembly

Prerequisites

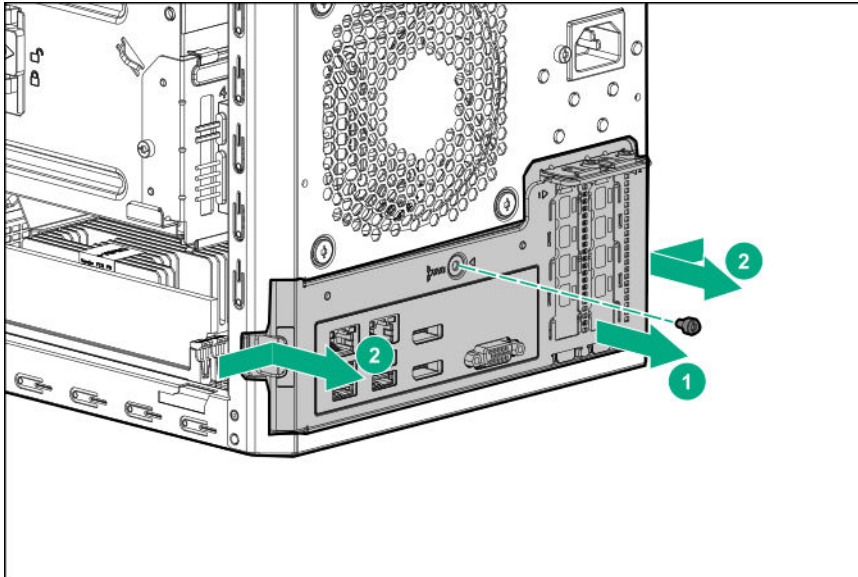
Before you perform this procedure, make sure that you have a T-15 Torx screwdriver available.

Procedure

1. If installed, remove the internal USB device.
2. To serve as a reference for system cable connections when the system board assembly is installed back into the server, take a picture of the current system board cable connections.
3. Disconnect the following system cables:
 - Power supply cable
 - Optical drive or SSD SATA cable (optional)
 - LFF/SFF drive SATA cable – This cable can either be connected to the system board or to an installed Smart Array storage controller board
 - Fan cable



4. Remove the system board assembly screw.
5. Place a finger in the notch on both sides of the system board assembly, and then pull out the assembly.



Hardware options installation

This chapter provides detailed instructions on how to install hardware options.

For more information on supported options, see the product QuickSpecs on the HPE ProLiant MicroServer Gen10 website at:

<http://www.hpe.com/servers/microserver>

To view the warranty for your server and supported options, see [Warranty information](#) on page 81.

Introduction

Install any hardware options before initializing the server. For options installation information, see the option documentation. For server-specific information, use the procedures in this section.

If multiple options are being installed, read the installation instructions for all the hardware options to identify similar steps and streamline the installation process.

⚠ WARNING: To reduce the risk of personal injury from hot surfaces, allow the drives and the internal system components to cool before touching them.

⚠ CAUTION: To prevent damage to electrical components, properly ground the server before beginning any installation procedure. Improper grounding can cause electrostatic discharge.

Drive options

Drive support information

- This server has four drive bays that support:
 - LFF non-hot-plug drives. The maximum LFF drive capacity is 16 TB (4 x 4 TB).
 - SFF non-hot-plug drives. This drive configuration requires the [SFF-to-LFF drive converter option](#).

These drives are not designed to be installed or removed from the server while the system is still powered on. Power off the server before installing or removing a drive.

- The embedded Marvell 88SE9230 PCIe to SATA 6Gb/s Controller supports SATA drives only. RAID 0, 1, and 10 levels are supported.

To configure drives connected to the onboard LFF/SFF drive SATA port, use the [Marvell BIOS Utility](#) on page 69 or the [Marvell Storage Utility](#) on page 70.

- For SAS drive and advanced RAID support, [install an HPE Smart Array Gen10 type-p SR controller option](#).

To configure drives connected to the Smart Array controller option, use the [HPE Smart Storage Administrator](#) on page 71.

Drive installation guidelines

- Populate drive bays based on the drive numbering sequence. Start from the [drive bay with the lowest device number](#).
- All drives grouped into the same drive array must meet the following criteria:

- They must be either all hard drives or all solid-state drives.
- Drives should be the same capacity to provide the greatest storage space efficiency when drives are grouped together into the same drive array.
- The system automatically sets all device numbers.

Installing an LFF drive

To add internal data storage to the server, install one or more LFF drives in the drive bays.

Procedure

1. **Power down the server** on page 25.
2. Disconnect the power cord from the AC source, and then from the server.
3. Disconnect all peripheral cables from the server.
4. **Remove the front bezel** on page 26.
5. **Install the LFF drive** on page 35.
6. **Install the front bezel** on page 28.
7. Connect all peripheral cables to the server.
8. Connect the power cord to the server power jack, and then to the AC source.
9. **Power up the server** on page 25.
10. Determine the status of the server drives from the **drive LED definitions**.
11. To configure drive arrays, do one of the following:
 - If the drives are connected to the onboard LFF/SFF drive SATA port, use the **Marvell Storage Utility** on page 70 or the **Marvell BIOS Utility** on page 69.
 - If the drives are connected to a Smart Array storage controller board, use the **HPE Smart Storage Administrator** on page 71.

Install the LFF drive

The LFF drives supported in this server do not require a drive caddy or a drive carrier to install. **You only have to use the drive mounting screws on the chassis.**

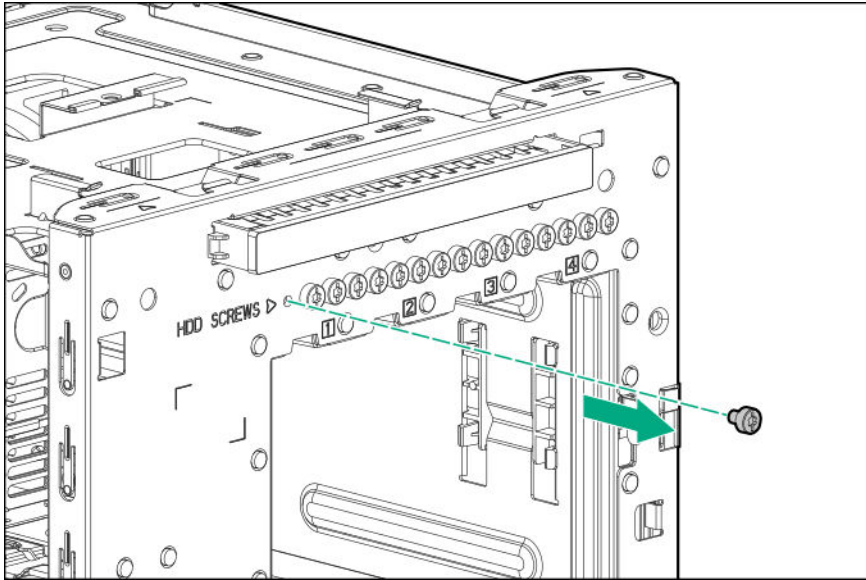
Prerequisites

Before you perform this procedure, make sure that you have the following items available:

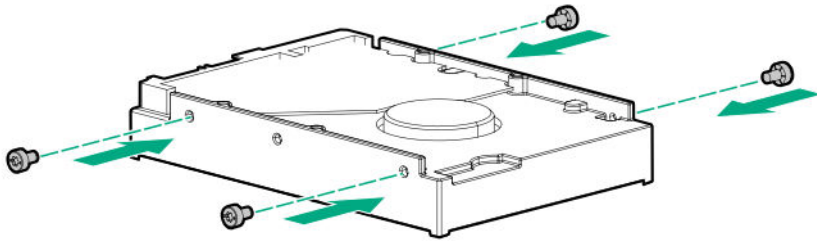
- T-15 Torx screwdriver
- LFF drive option

Procedure

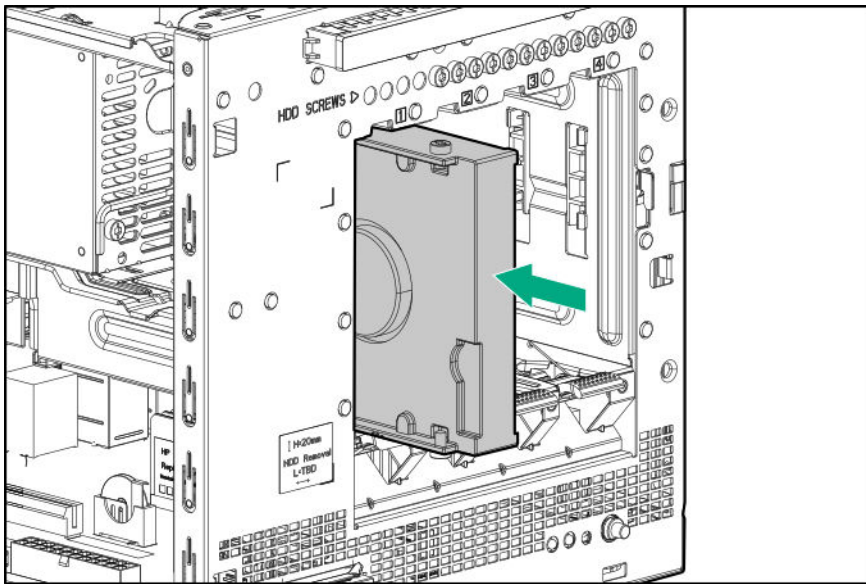
1. Remove four drive screws from the front panel.



2. Install the screws in the drive.



3. Slide the drive into the drive bay until it clicks into place.



Installing an SFF drive

To install SFF drives in the drive bays, install the SFF drive converter option. In general, SFF drives give greater power and space savings. SFF drives can require as little as half the power and generate significantly less heat than LFF drives.

Procedure

1. **Power down the server** on page 25.
2. Disconnect the power cord from the AC source, and then from the server.
3. Disconnect all peripheral cables from the server.
4. **Remove the front bezel** on page 26.
5. **Install the SFF drive** on page 37.
6. **Install the front bezel** on page 28.
7. Connect all peripheral cables to the server.
8. Connect the power cord to the server power jack, and then to the AC source.
9. **Power up the server** on page 25.
10. Determine the status of the server drives from the **drive LED definitions**.
11. To configure drive arrays, do one of the following:
 - If the drives are connected to the onboard LFF/SFF drive SATA port, use the **Marvell Storage Utility** on page 70 or the **Marvell BIOS Utility** on page 69.
 - If the drives are connected to a Smart Array storage controller board, use the **HPE Smart Storage Administrator** on page 71.

Install the SFF drive

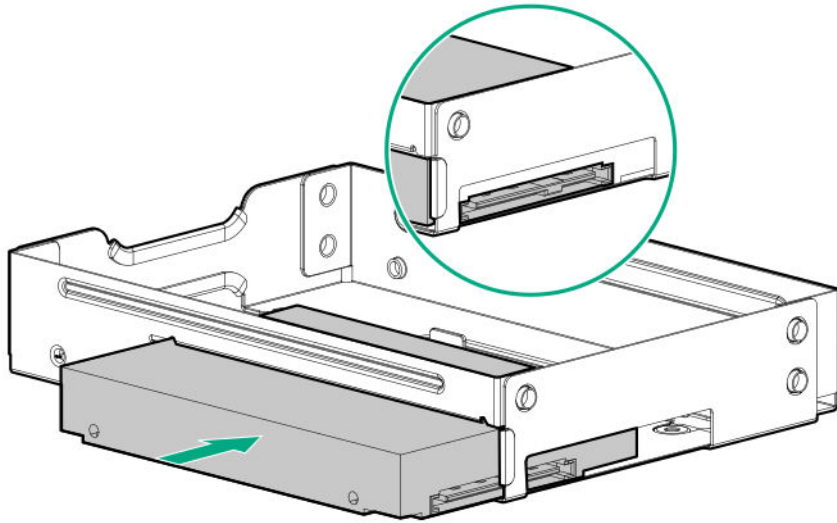
Prerequisites

Before you perform this procedure, make sure that you have the following items available:

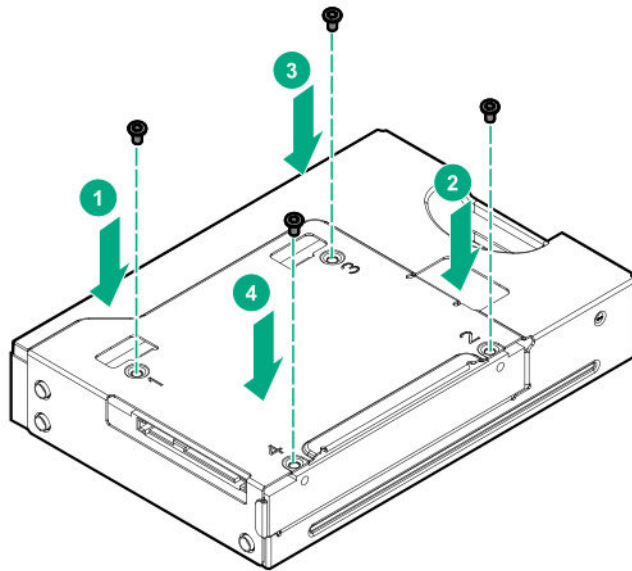
- T-10 Torx screwdriver
- T-15 Torx screwdriver
- SFF drive converter option kit. This kit includes:
 - Drive converter tray
 - T-10 screws (4)
- SFF drive option

Procedure

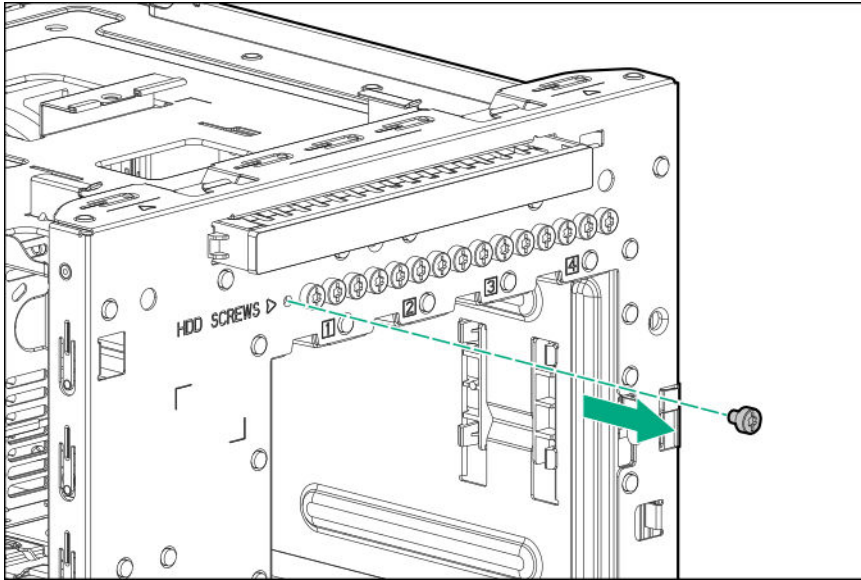
1. Install the SFF drive in the drive converter tray.



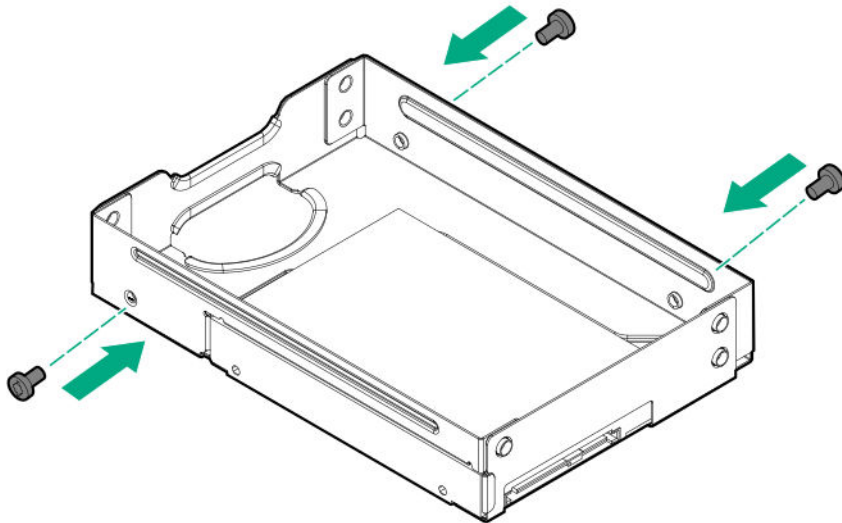
2. Follow the callout sequence in the following illustration to install the screws included in the converter kit on the bottom side of the converter tray.



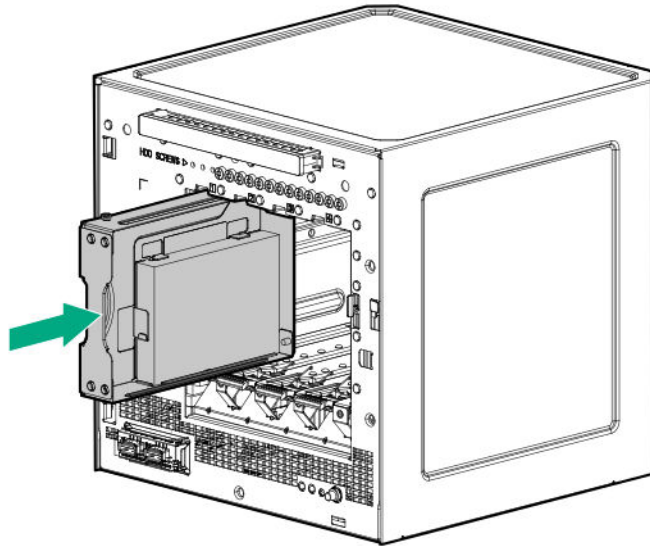
3. Remove three drive screws from the front panel.



4. Install the three screws removed from the front panel on the left and right sides of the converter tray.



5. Slide the drive into the drive bay until it clicks into place.



Media bay options

Use the media bay to install one of these options:

- **7-mm slim-type SATA SSD**
- **9.5 mm slim-type SATA optical drive**

Installing an SSD

The media bay supports a 7-mm slim-type SATA solid-state drive option. SSDs have no moving parts. Information is stored in microchips. Traditional hard disk drives use a mechanical arm with a read/write head to move around and read information from the right location on a rotating storage platters. This lack of rotating media in SSDs:

- Greatly reduces the SSD's power consumption
- Enable SSDs to tolerate significantly higher operating shock and vibration levels

SSDs are suitable for server workloads with highly random data under a variety of write-workload applications.

Procedure

1. **Power down the server** on page 25.
2. Disconnect the power cord from the AC source, and then from the server.
3. Disconnect all peripheral cables from the server.
4. **Remove the chassis cover** on page 29.
5. **Install the SSD** on page 41.
6. **Install the chassis cover** on page 30.
7. Connect all peripheral cables to the server.

8. Connect the power cord to the server power jack, and then to the AC source.

9. **Power up the server** on page 25.

Install the SSD

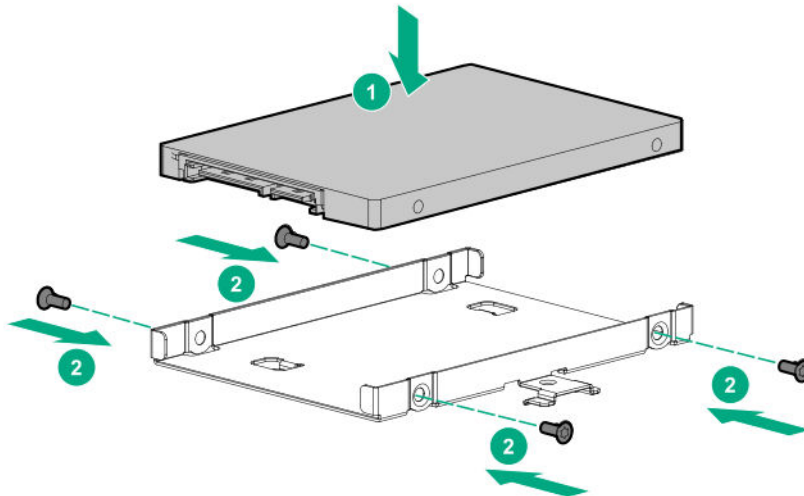
Prerequisites

Before you perform this procedure, make sure that you have the following items available:

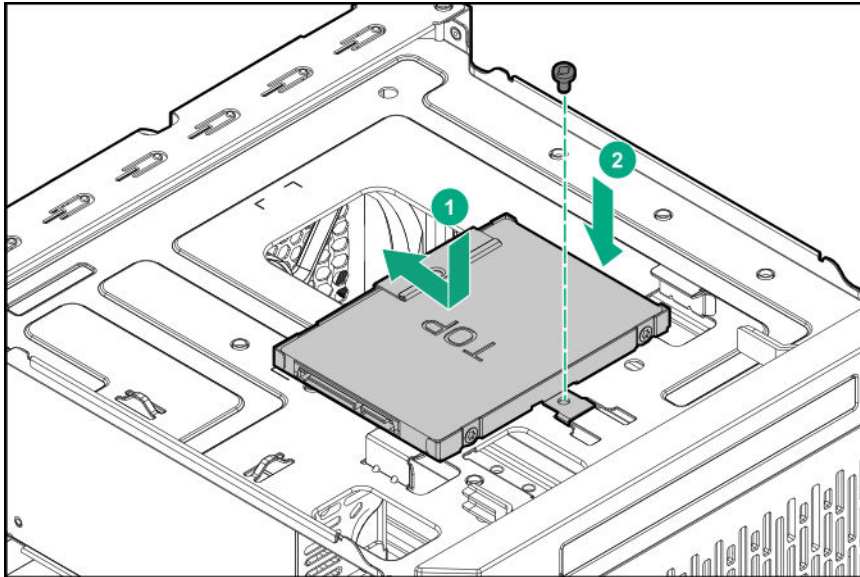
- T-10 Torx screwdriver
- T-15 Torx screwdriver
- SSD enablement option kit. This kit includes:
 - SSD tray
 - SSD power cable
 - SSD SATA cable
 - T-10 screws (4, for securing the SSD)
 - T-15 Torx screw (1, for securing the SSD tray)
- SSD option

Procedure

1. Place the SSD in the SSD tray, and then install the SSD screws.

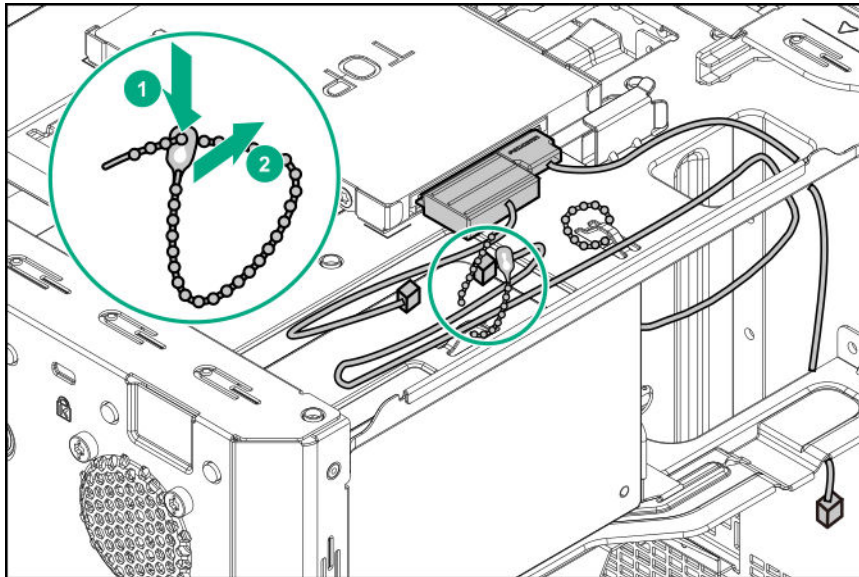


2. Install the SSD assembly in the media bay, and then secure it with the screw.

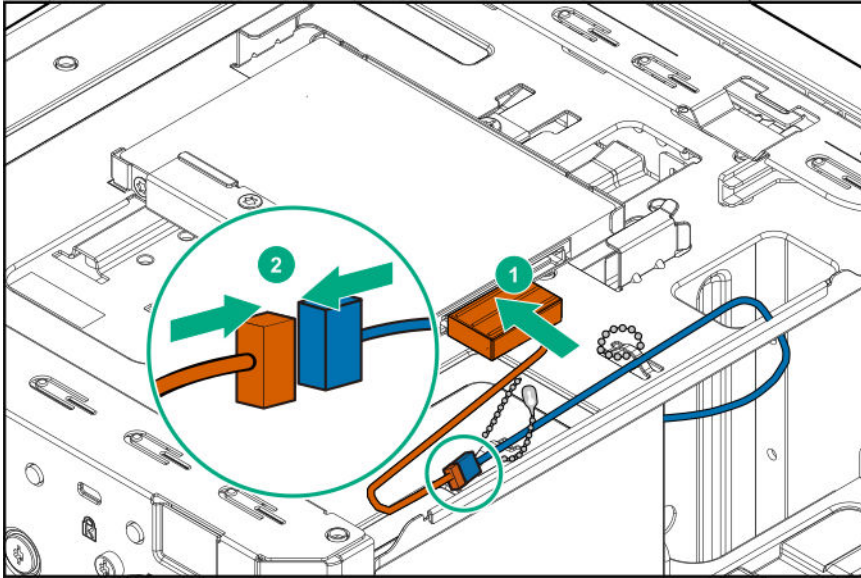


3. Connect the SSD power cable:

a. Open the cable ties.

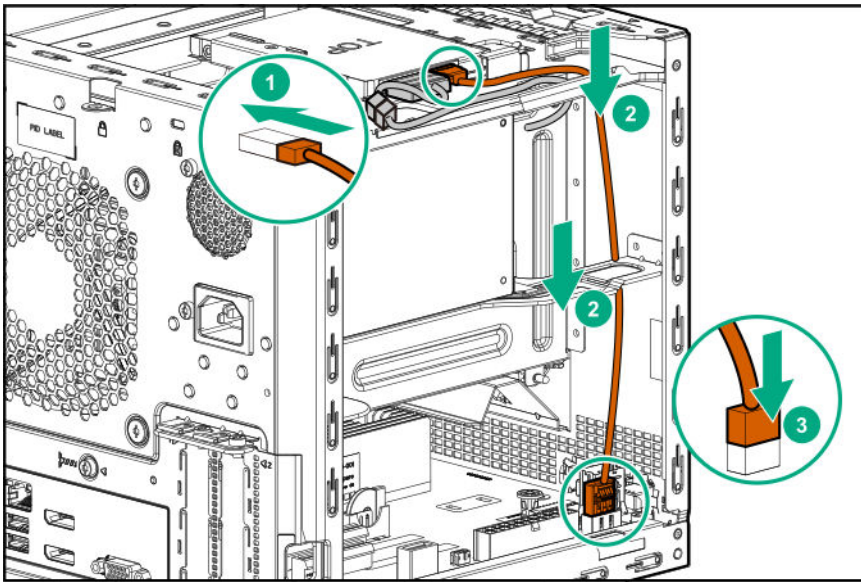


b. Connect the power cable to the SSD, and then to the power supply cable labeled P3.

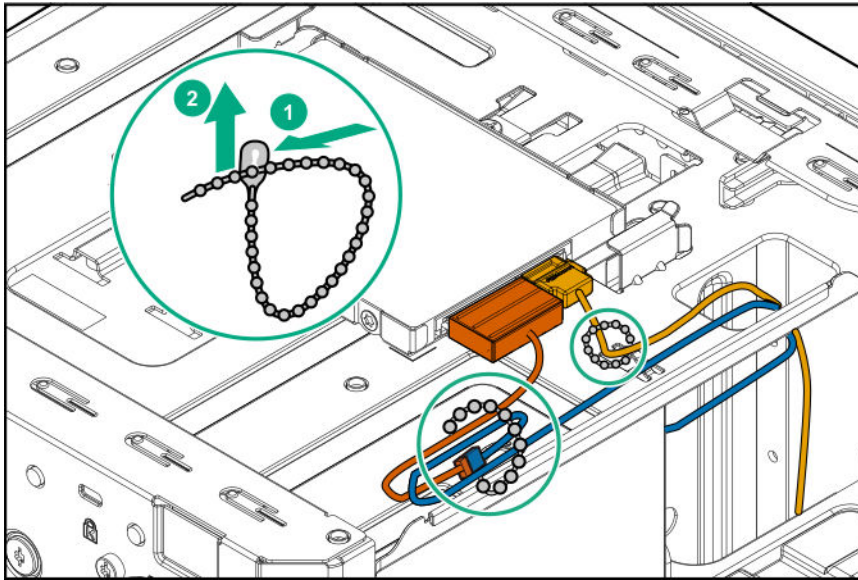


4. Connect the SSD SATA cable:

- a. Connect the SATA cable to the SSD.
- b. Route the SATA cable through the left side chassis opening down to the system board.
- c. Connect the SATA cable to the SATA port.



5. Bundle the extra length of the SSD power and SATA cables, and then secure them in the cable ties.



Installing an optical drive

The media bay supports a 9.5 mm slim-type SATA optical drive option. This option allows you to retrieve or store data on optical discs like CDs and DVDs.

Procedure

1. **Power down the server** on page 25.
2. Disconnect the power cord from the AC source, and then from the server.
3. Disconnect all peripheral cables from the server.
4. **Remove the chassis cover** on page 29.
5. **Remove the front bezel** on page 26.
6. **Install an optical drive** on page 44.
7. **Install the front bezel** on page 28.
8. **Install the chassis cover** on page 30.
9. Connect all peripheral cables to the server.
10. Connect the power cord to the server power jack, and then to the AC source.
11. **Power up the server** on page 25.

Install an optical drive

Prerequisites

Before you perform this procedure, make sure that you have the following items available:

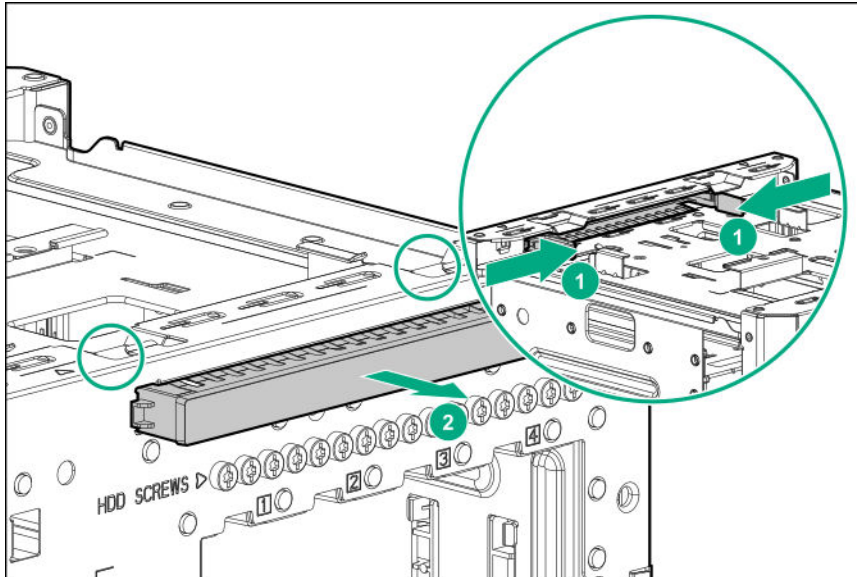
- T-15 Torx screwdriver
- Phillips No. 2 screwdriver
- Optical drive option kit. This kit includes:

- Optical drive
- Optical drive bracket
- Phillips No. 2 screws (2, for securing the optical drive bracket)
- T-15 screw (1, for securing the optical drive)

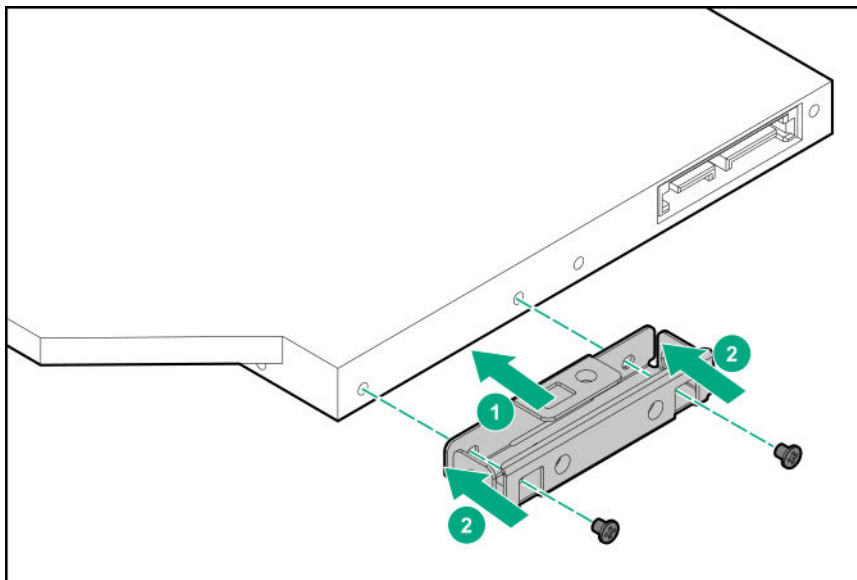
Procedure

1. Facing the server, press and hold the release latches on both sides of the optical drive blank, and then push the blank out of the media bay.

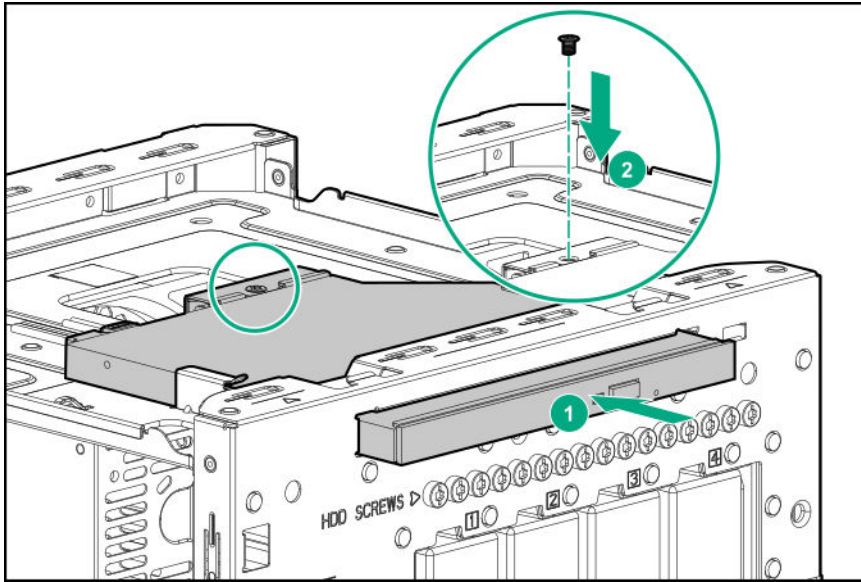
Retain the blank for future use.



2. Attach the bracket to the optical drive.

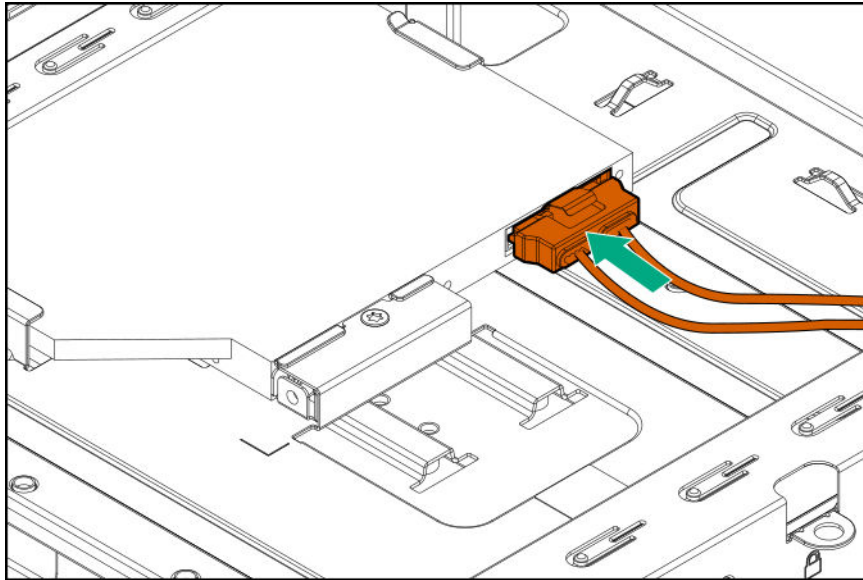


3. Slide the optical drive into the media bay.
4. Install the optical drive screw.

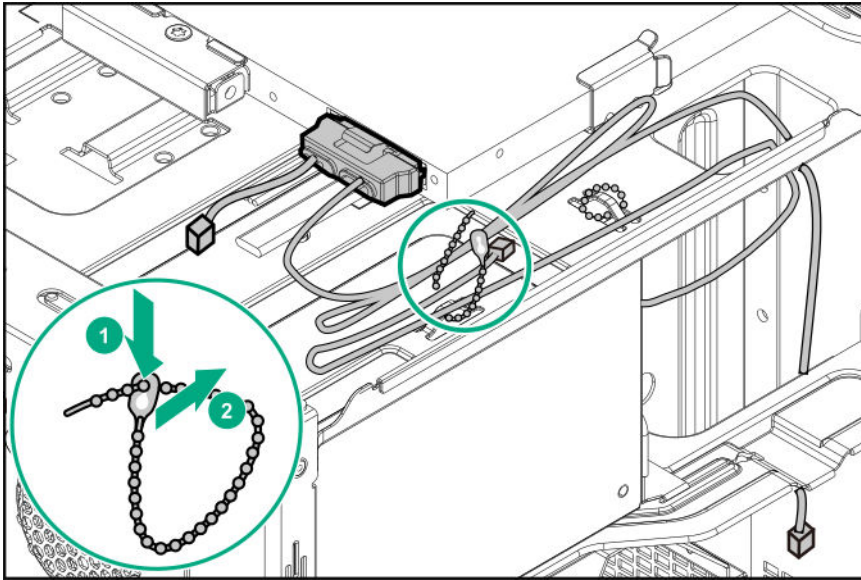


5. Connect the optical drive SATA Y-cable:

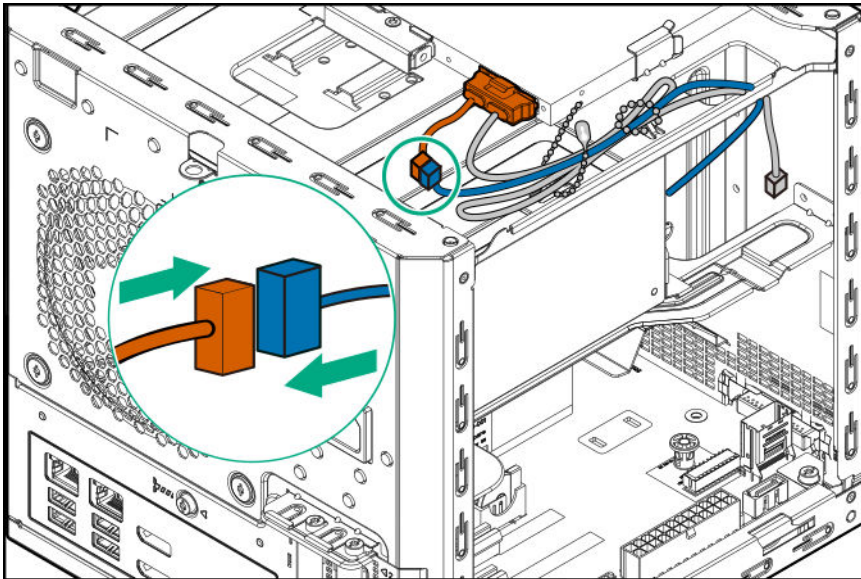
a. Connect the common end of the cable to the optical drive.



b. Open the cable tie.

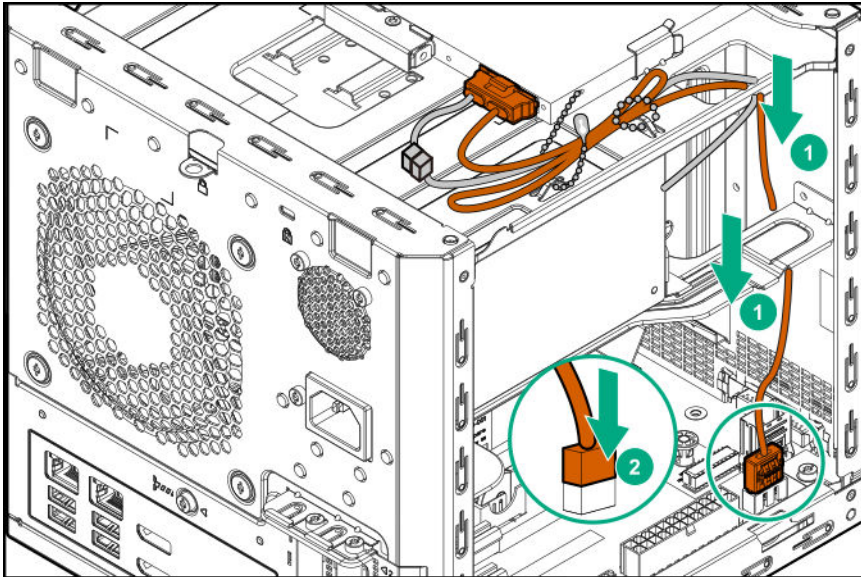


c. Connect the power end of the SATA cable to the power supply cable labeled P3.

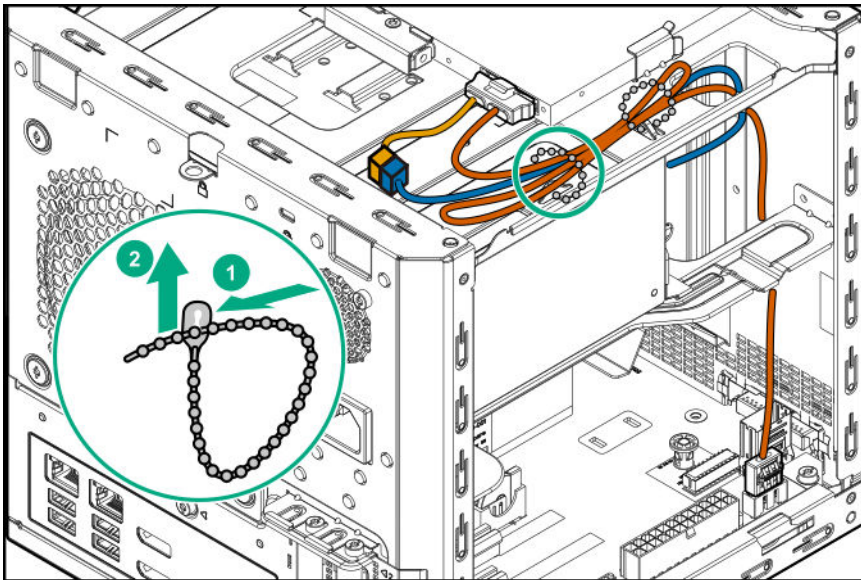


d. Route the data end of the SATA Y-cable through the left side chassis opening down to the system board.

e. Connect the data end of the cable to the SATA port.



- f. Bundle the extra length of the SATA Y-cable and the power supply P3 cable, and then secure them in the cable tie.



Memory support

The server has two DIMM slots supporting standard PC4-2400T UDIMM for a maximum memory capacity of 32 GB.

Maximum memory speed is determined by the processor:

- AMD Opteron X3216 supports memory speed of up to 2400 MT/s.
- AMD Opteron X3418 and AMD Opteron X3421 support memory speed of up to 1600 MT/s.

DIMM population information

For specific DIMM population information, use the HPE Server Memory Configurator tool (<https://www.hpe.com/servers/servermemoryconfigurator>).

DIMM ranks

To understand and configure memory protection modes properly, an understanding of DIMM rank is helpful. Some DIMM configuration requirements are based on these classifications.

A single-rank DIMM has one set of memory chips that is accessed while writing to or reading from the memory. A dual-rank DIMM is similar to having two single-rank DIMMs on the same module, with only one rank accessible at a time. A quad-rank DIMM is, effectively, two dual-rank DIMMs on the same module. Only one rank is accessible at a time. The server memory control subsystem selects the proper rank within the DIMM when writing to or reading from the DIMM.

Dual- and quad-rank DIMMs provide the greatest capacity with the existing memory technology. For example, if current DRAM technology supports 8 GB single-rank DIMMs, a dual-rank DIMM would be 16 GB, and a quad-rank DIMM would be 32 GB, and an octal-rank LRDIMM would be 64 GB.

LRDIMMs are labeled as quad- and octal-rank DIMMs. There are four and eight ranks of DRAM on the DIMM, but the LRDIMM buffer creates an abstraction that allows the DIMM to appear as a logical dual-rank DIMM to the system. This is called Rank Multiplication. The LRDIMM buffer also isolates the electrical loading of the DRAM from the system to allow for faster operation. These two changes allow the system to support up to three LRDIMMs per memory channel, providing for greater memory capacity and higher memory operating speed compared to quad-rank RDIMMs.

DIMM handling guidelines

When handling a DIMM, observe the following guidelines:

- Avoid electrostatic discharge.
- Always hold DIMMs by the side edges only.
- Avoid touching the connectors on the bottom of the DIMM.
- Never wrap your fingers around a DIMM.
- Avoid touching the components on the sides of the DIMM.
- Never bend or flex the DIMM.

⚠ CAUTION: Failure to properly handle DIMMs can cause damage to the components on the DIMM, as well as the system board connector.

DIMM installation guidelines

When installing a DIMM, observe the following guidelines:

- Before seating the DIMM, open the DIMM slot and align the DIMM with the slot.
- To align and seat the DIMM, use two fingers to hold the DIMM along the side edges.
- To seat the DIMM, use two fingers to apply gentle pressure along the top of the DIMM.

For more information, see the [Hewlett Packard Enterprise website](#).

Installing a DIMM

The server uses memory to perform almost all of its operations. Upgrading the server memory capacity leads to faster boot-up, processing period, and timely responses to promote optimum system performance.

Procedure

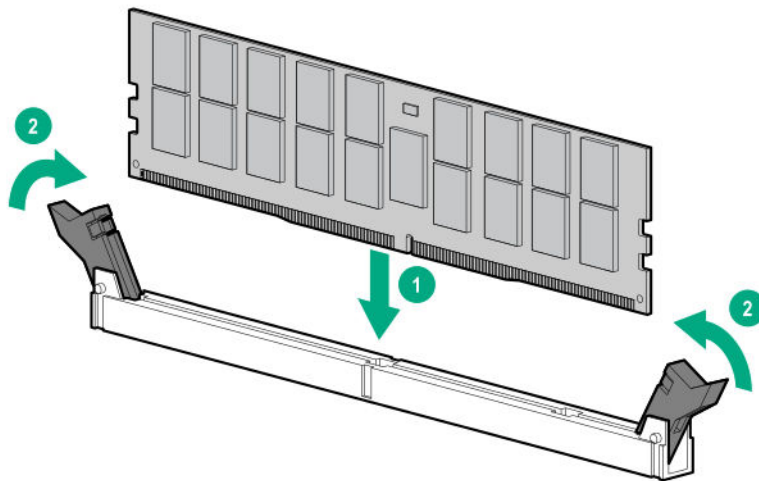
1. **Power down the server** on page 25.
2. Disconnect the power cord from the AC source, and then from the server.
3. Disconnect all peripheral cables from the server.
4. **Remove the chassis cover** on page 29.
5. **Install the DIMM** on page 50.
6. **Install the chassis cover** on page 30.
7. Connect all peripheral cables to the server.
8. Connect the power cord to the server power jack, and then to the AC source.
9. **Power up the server** on page 25.
10. To configure the memory, use the **Aptio Setup Utility** on page 65. Select **Chipset > South Bridge > Memory Configuration**.

Install the DIMM

Procedure

1. Open the DIMM slot latches.
2. Align the notch on the bottom edge of the DIMM with the keyed surface of the DIMM slot, and then fully press the DIMM into the slot until the latches snap back into place.

The DIMM slots are structured to ensure proper installation. If you try to insert a DIMM but it does not fit easily into the slot, you might have positioned it incorrectly. Reverse the orientation of the DIMM and insert it again.



Storage controller options

The server supports the following storage controllers:

- The embedded Marvell 88SE9230 PCIe to SATA 6Gb/s Controller supports SATA drives connected to the onboard LFF/SFF drive SATA port. RAID 0, 1, and 10 levels are supported.

To configure drives connected to the onboard LFF/SFF drive SATA port, use the **Marvell BIOS Utility** on page 69 or the **Marvell Storage Utility** on page 70.

- The server supports HPE Smart Array Gen10 type-p SR controller options. Use this option for SAS/SATA drive and advanced RAID support.

To configure drives connected to a Smart Array controller option, use the **HPE Smart Storage Administrator** on page 71.

Installing a Smart Array storage controller

Prerequisites

Before you perform this procedure, perform the following steps:

1. Back up data on the system.
2. Close all applications.
3. **Update the server firmware if it is not the latest version.**
4. Do one of the following:
 - If the new Smart Array is the new boot device, **install the device drivers.**
 - If the new Smart Array is not the new boot device, go to the next step.
5. Ensure that users are logged off and that all tasks are completed on the server.

⚠ CAUTION: In systems that use external data storage, be sure that the server is the first unit to be powered down and the last to be powered back up. Taking this precaution ensures that the system does not erroneously mark the drives as failed when the server is powered up.

Procedure

1. **Power down the server** on page 25.
2. Disconnect the power cord from the AC source, and then from the server.
3. Disconnect all peripheral cables from the server.
4. **Remove the chassis cover** on page 29.
5. **Remove the system board assembly** on page 32.
6. If the storage controller is shipped with an air baffle attached, **remove this baffle from the board.**
7. If the storage controller is shipped with a full-height bracket attached, **replace it with a low-profile one.**
8. **Install the storage controller.**
9. **Install the system board assembly** on page 30
10. Connect all necessary internal cabling to the storage controller.
For more information on these cabling requirements, see the documentation that ships with the option.
11. **Install the chassis cover** on page 30.
12. Connect all necessary external cabling to the storage controller.

For more information on these cabling requirements, see the documentation that ships with the option.

13. Connect all peripheral cables to the server.
14. Connect the power cord to the server power jack, and then to the AC source.
15. **Power up the server** on page 25.
16. Update the drive firmware if it is not the latest version.
17. Use the HPE Smart Storage Administrator to create arrays and logical drives.

For more information, see the *HPE Smart Array SR Gen10 Configuration Guide* on the Hewlett Packard Enterprise website:

<http://www.hpe.com/info/smartstorage-docs>

The installation is complete.

Expansion board options

The server has two low-profile, open-ended PCIe3 expansion slots. Use these slots to install additional hardware capabilities such as:

- **A storage controller board to enable advanced drive features.**
- A network adapter with advanced Ethernet connectivity features.

Installing an expansion board

Procedure

1. **Power down the server** on page 25.
2. Disconnect the power cord from the AC source, and then from the server.
3. Disconnect all peripheral cables from the server.
4. **Remove the chassis cover** on page 29.
5. **Remove the system board assembly** on page 32.
6. If the expansion board is shipped with an air baffle attached, **remove this baffle from the board.**
7. If the expansion board is shipped with a full-height bracket attached, **replace it with a low-profile one.**
8. **Install the expansion board.**
9. **Install the system board assembly** on page 30
10. Connect all necessary internal cabling to the expansion board.
For more information on these cabling requirements, see the documentation that ships with the option.
11. **Install the chassis cover** on page 30.
12. Connect all necessary external cabling to the expansion board.
For more information on these cabling requirements, see the documentation that ships with the option.

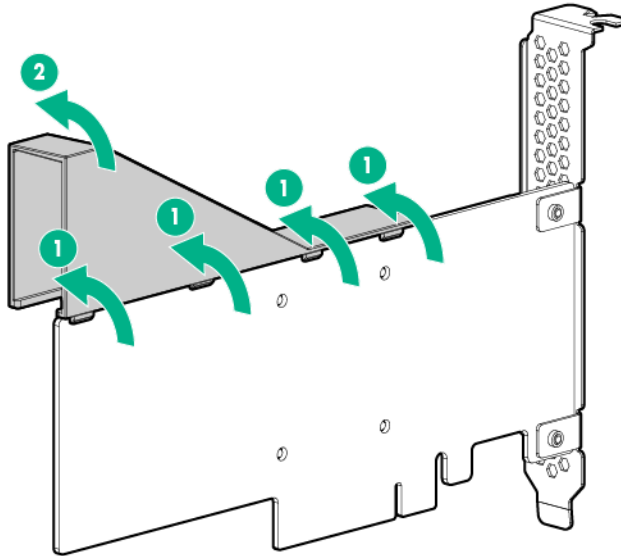
13. Connect all peripheral cables to the server.
14. Connect the power cord to the server power jack, and then to the AC source.
15. **Power up the server** on page 25.

Remove the air baffle from the expansion board

Procedure

Remove the air baffle from the expansion board.

The number and location of the latches that secure the baffle to the board will vary depending on the expansion board. The illustration below is an example image only. See the expansion board documentation for model-specific information.

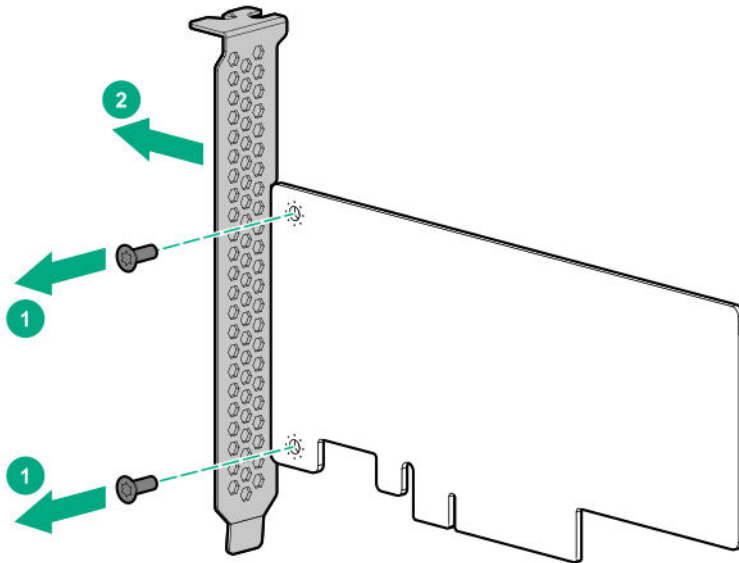


Install a low-profile bracket on the expansion board

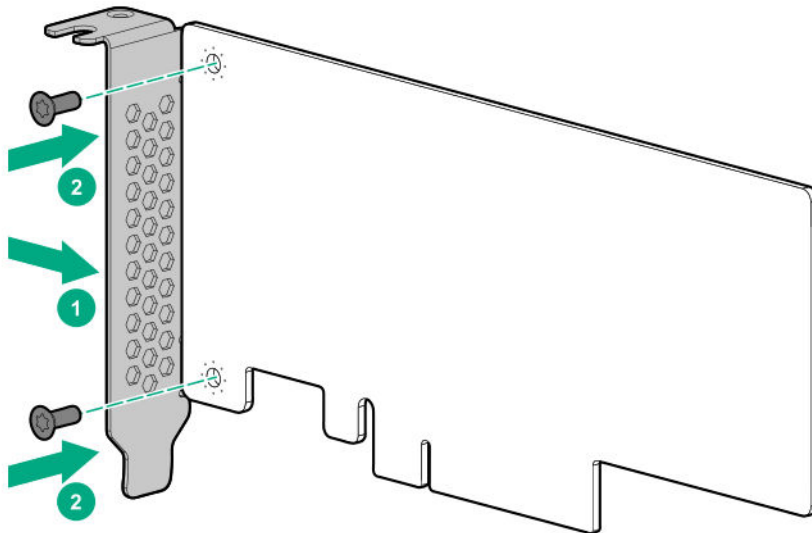
The number and location of the bracket screws will vary depending on the expansion board. The illustrations below are example images only. See the expansion board documentation for model-specific information.

Procedure

1. Remove the full-height bracket from the expansion board.



2. Install the low-profile bracket on the expansion board.



Install the expansion board

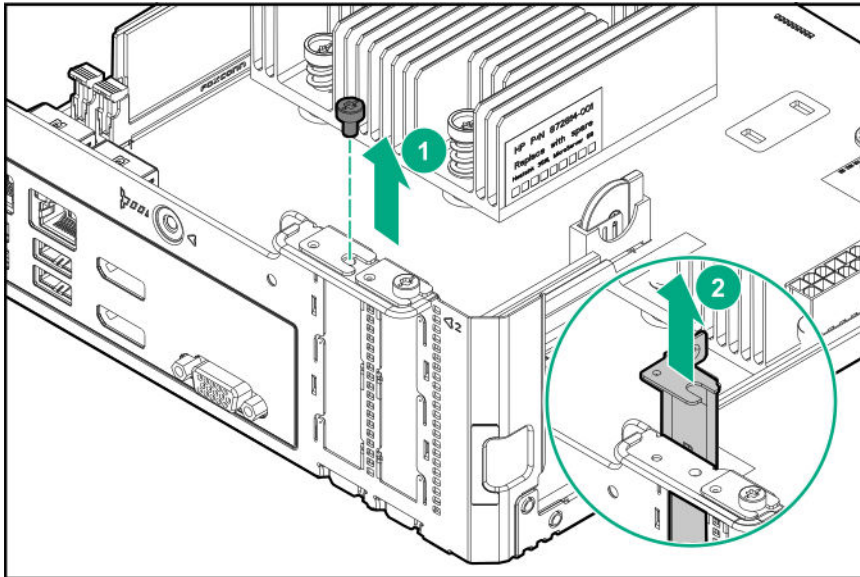
Prerequisites

Before you perform this procedure, make sure that you have T-15 Torx screwdriver available.

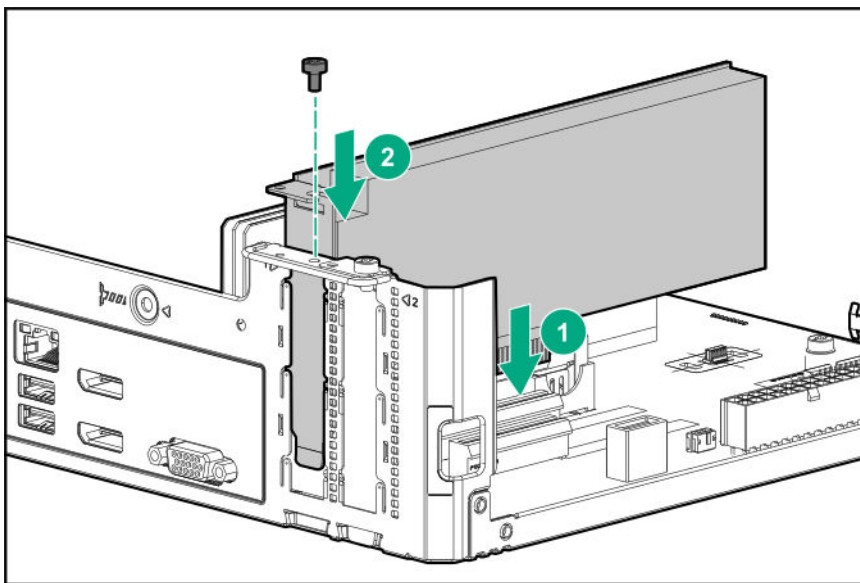
Procedure

1. Identify the expansion slot compatible with the expansion board, and then remove the blank opposite that slot.

Retain the blank for future use.



2. Verify that any switches or jumpers on the expansion board are set properly. For more information, see the expansion board documentation.
3. Install the expansion board. Verify that the board is firmly seated in the slot.



Internal USB device options

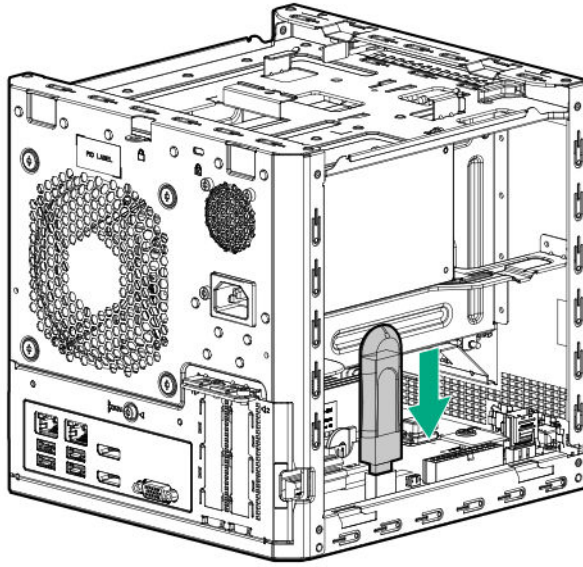
The server has an internal USB 2.0 port that you can use to install internal USB flash media devices for:

- booting up from flash solutions
- data backup/redundancy

Install an internal USB device

Procedure

1. **Power down the server** on page 25.
2. Disconnect the power cord from the AC source, and then from the server.
3. Disconnect all peripheral cables from the server.
4. **Remove the chassis cover** on page 29.
5. Plug in the USB device into the internal USB port.



6. **Install the chassis cover** on page 30.
7. Connect all peripheral cables to the server.
8. Connect the power cord to the server power jack, and then to the AC source.
9. **Power up the server** on page 25.

For more information on any required setup or configuration procedure, see the USB device documentation.

External HPE RDX Backup System option

To install a simple, inexpensive, and reliable way to securely store your data backups, install an external HPE RDX Backup System. The backup system is a removable, ruggedized, hard disk drive system.

The backup system consists of two components:

- RDX cartridge
- RDX docking station

Hewlett Packard Enterprise recommends that no more than one HPE RDX Removable Disk Backup System be connected to a system at a time.

For more information on installing and configuring the external HPE RDX Removable Disk Backup System, see the Storage section of the Hewlett Packard Enterprise Information Library:

HP Trusted Platform Module

The TPM is a hardware-based system security feature that can securely store information, such as passwords and encryption keys, which can be used to authenticate the platform.

The TPM works with Microsoft Windows BitLocker which is a data protection feature available in Microsoft Windows Server 2008 R2 SP1 and later operating systems. BitLocker helps protect user data and helps ensure that a server running Windows Server has not been tampered with while the system was offline.

This server supports TPM 2.0. To prevent possible damage to the TPM or to the system board, the TPM cannot be removed from the board once it has been installed.

Trusted Platform Module (TPM) — China Import Restrictions

HPE Special Reminder: Before enabling TPM functionality on this system, you must ensure that your intended use of TPM complies with relevant local laws, regulations and policies, and approvals or licenses must be obtained if applicable.

For any compliance issues arising from your operation/usage of the TPM which violates the above mentioned requirement, you shall bear all the liabilities wholly and solely. HPE will not be responsible for any related liabilities.

可信平台模块 (Trusted Platform Module , TPM) 声明

HPE 特别提醒：在您在系统中启用 TPM 功能前，请您务必确认，您将要
对 TPM 的使用遵守相关的当地法律、法规及政策，并已获得所需的一切事先批准及许可(如适用)。

若您未获得相应的操作/使用许可而发生的合规问题，皆由您自行承担全部责任，与 HPE 无涉。

HP Trusted Platform Module guidelines

⚠ CAUTION: Always observe the guidelines in this document. Failure to follow these guidelines can cause hardware damage or halt data access.

When installing or replacing a TPM, observe the following guidelines:

- Do not remove an installed TPM. Once installed, the TPM becomes a permanent part of the system board.
- When installing or replacing hardware, Hewlett Packard Enterprise service providers cannot enable the TPM or the encryption technology. For security reasons, only the customer can enable these features.
- When returning a system board for service replacement, do not remove the TPM from the system board. When requested, HPE Service provides a TPM with the spare system board.
- Any attempt to remove an installed TPM from the system board breaks or disfigures the TPM security rivet. Upon locating a broken or disfigured rivet on an installed TPM, administrators should consider the system compromised and take appropriate measures to ensure the integrity of the system data.

- When using BitLocker, always retain the recovery key/password. The recovery key/password is required to enter Recovery Mode after BitLocker detects a possible compromise of system integrity.
- HPE is not liable for blocked data access caused by improper TPM use. For operating instructions, see the encryption technology feature documentation provided by the operating system.

Installing the Trusted Platform Module overview

Procedure

1. **Installing the Trusted Platform Module board** on page 58.
2. **Retain the recovery key/password.**
3. **Enabling the Trusted Platform Module** on page 60.

Installing the Trusted Platform Module board

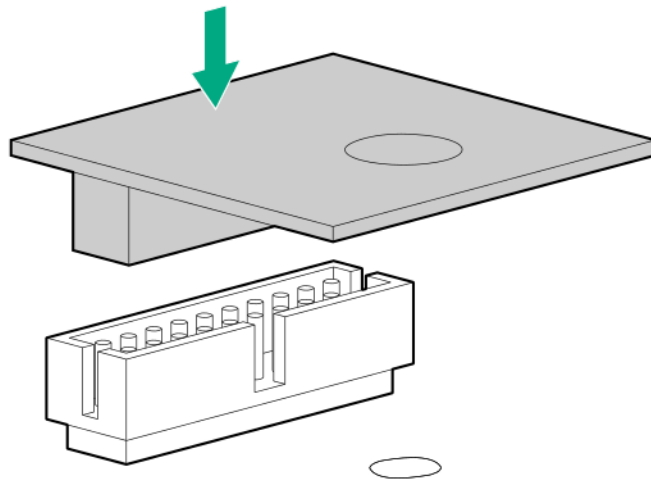
Procedure

1. **Power down the server** on page 25.
2. Disconnect the power cord from the AC source, and then from the server
3. Disconnect all peripheral cables from the server.
4. **Remove the chassis cover** on page 29.
5. **Remove the system board assembly** on page 32.
6. **Install the Trusted Platform Module board** on page 58.
7. **Install the system board assembly** on page 30.
8. **Install the chassis cover** on page 30.
9. Connect all peripheral cables to the server.
10. Connect the power cord to the server power jack, and then to the AC source.
11. **Power up the server** on page 25.

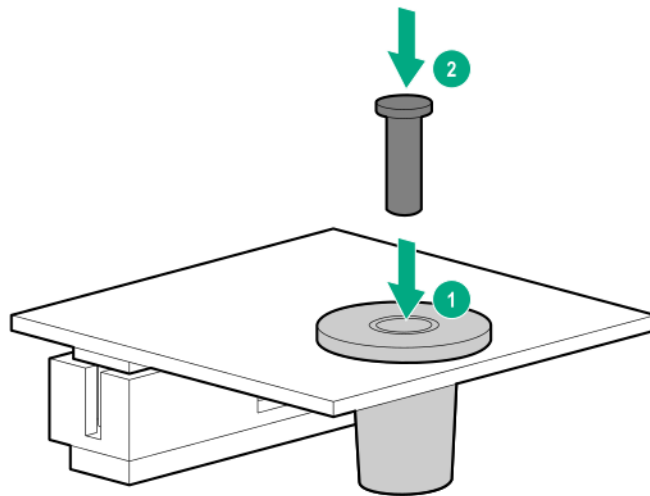
Install the Trusted Platform Module board

Procedure

1. **Locate the TPM connector on the system board.**
2. Install the TPM board.



3. Install the TPM security rivet by pressing the rivet firmly into the system board.



Retaining the recovery key/password

The recovery key/password is generated during BitLocker setup, and can be saved and printed after BitLocker is enabled. When using BitLocker, always retain the recovery key/password. The recovery key/password is required to enter Recovery Mode after BitLocker detects a possible compromise of system integrity.

To help ensure maximum security, observe the guidelines listed in the following procedure list when retaining the recovery key/password.

Procedure

- Always store the recovery key/password in multiple locations.
- Always store copies of the recovery key/password away from the server.
- Do not save the recovery key/password on the encrypted hard drive.

Enabling the Trusted Platform Module

Procedure

1. To access the Aptio Setup Utility, on the enter setup prompt, press the **F2** or **Del** key.
2. Select **Advanced > Trusted Computing**, and then press the **Enter** key.
3. Verify that the TPM device name is displayed.
4. To exit the utility, press the **Esc** key.

The server reboots without user input. During this system reboot, the TPM is enabled.

5. Enable TPM functionality in the OS, such as Microsoft Windows BitLocker or measured boot.

⚠ CAUTION: When a TPM is installed and enabled on the server, data access is locked if you fail to follow the proper procedures for updating the system or option firmware, replacing the system board, replacing a hard drive, or modifying OS application TPM settings.

For more information on adjusting TPM usage in BitLocker, see the Microsoft website:

<http://technet.microsoft.com/en-us/library/cc732774.aspx>

Cabling

Cabling overview

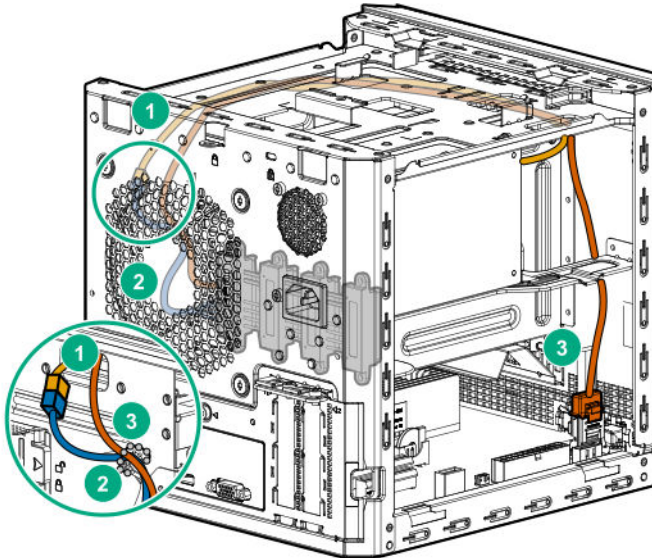
This section provides guidelines that help you make informed decisions about cabling the server and hardware options to optimize performance.

⚠ CAUTION: When routing cables, always be sure that the cables are not in a position where they can be pinched or crimped.

Four-bay non-hot-plug drive cabling

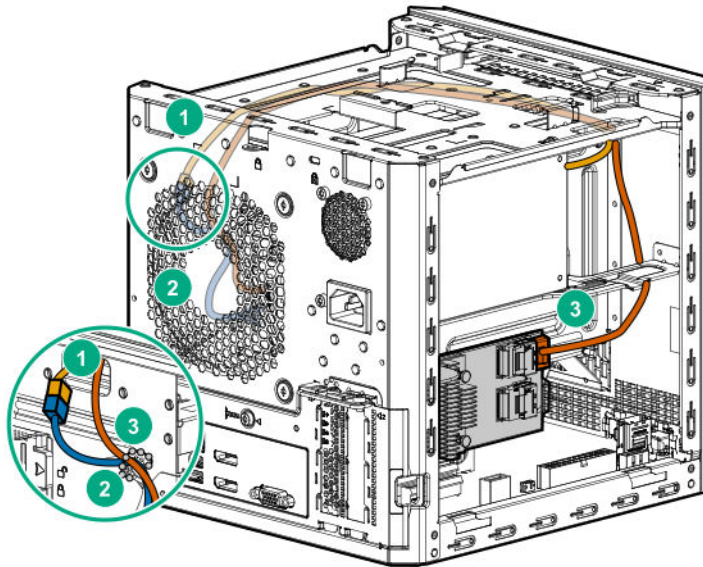
The four-bay non-hot-plug drive cable assembly consists of the drive power and SATA cables attached to a bracket. If either the drive power or SATA cable becomes defective, the entire cable assembly will need to be replaced.

- LFF/SFF drive SATA cable connected to the system board



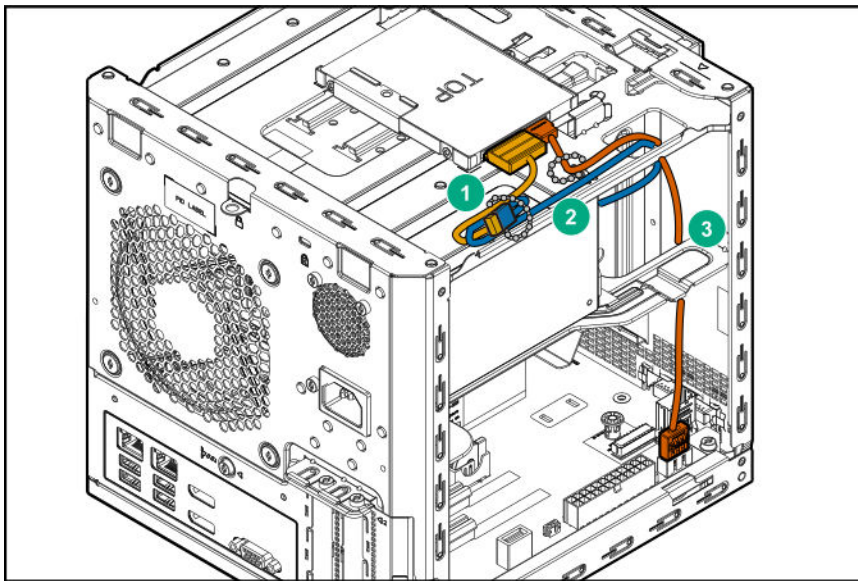
Item	Description
1	P2 power supply cable
2	LFF/SFF drive power cable
3	LFF/SFF drive SATA cable

- LFF/SFF drive SATA cable connected to a Smart Array storage controller board



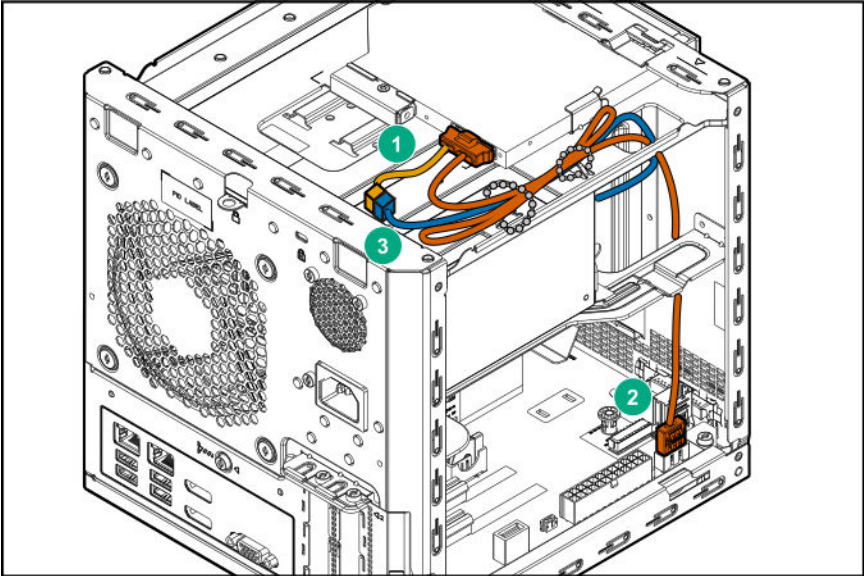
Item	Description
1	P2 power supply cable
2	LFF/SFF drive power cable
3	LFF/SFF drive SATA cable

SSD cabling



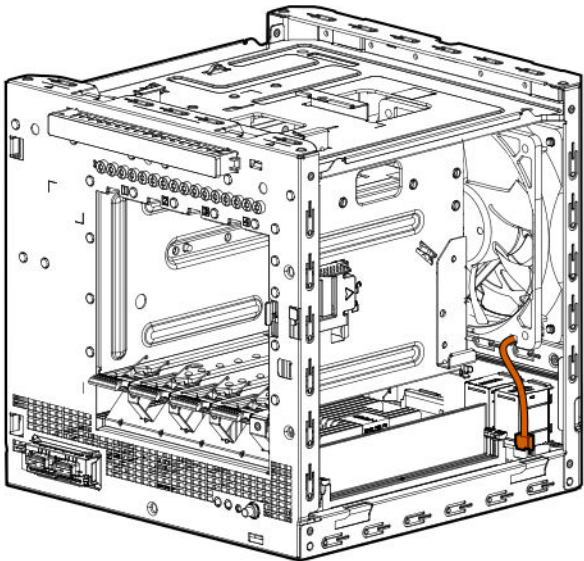
Item	Description
1	SSD power cable
2	P3 power supply cable
3	SSD SATA cable

Optical drive cabling

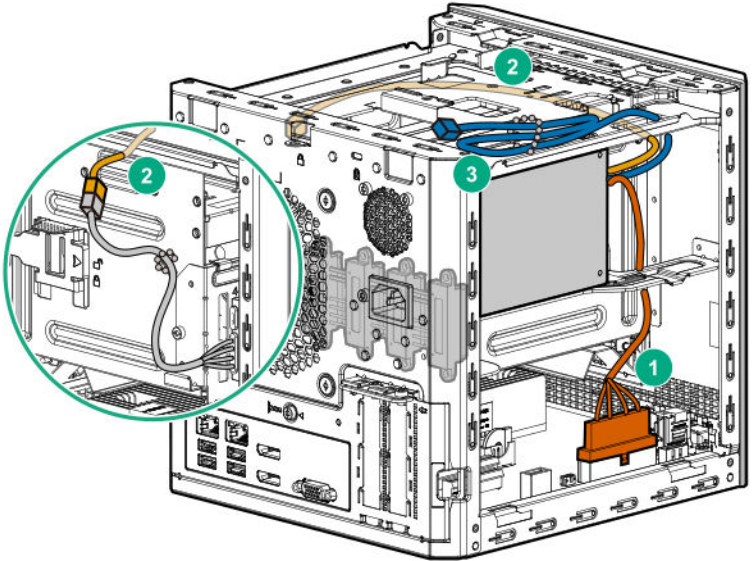


Item	Description
1	Optical drive power cable
2	Optical drive SATA cable
3	P3 power supply cable

Fan cabling



Power supply cabling



Item	PSU cable marker	Description
1	P1	System board power cable
2	P2	LFF/SFF drive power cable
3	P3	Optical drive/SSD power cable

Software and configuration utilities

Server mode

Software or configuration utility	Server mode
<u>Aptio Setup Utility</u>	Offline
<u>HPE Smart Storage Administrator</u>	Online and offline
<u>Marvell Storage Utility</u>	Online
<u>Marvell BIOS Utility</u>	Offline

Product QuickSpecs

For more information about product features, specifications, options, configurations, and compatibility, see the product QuickSpecs on the HPE ProLiant MicroServer Gen10 website:

<http://www.hpe.com/servers/microserver>

Aptio Setup Utility

The Aptio Setup Utility is embedded in the system ROM. This utility enables you to perform a wide range of configuration activities, including the following:

- Configuring system devices and installed options
- Enabling and disabling system features
- Displaying system information
- Selecting the primary boot controller
- Configuring memory options

Using the Aptio Setup Utility

To use the Aptio Setup Utility, use the following keys:

Key	Action
F2 or Del (during POST)	Access the Aptio Setup Utility.
Left and right arrows	Navigate the menus.
Up and down arrows	Navigate menu items.
Enter	Select menu items.
F4	Save selections and exit the utility.
F1	Access help for the highlighted configuration option.
Esc	Exit the utility.

Default configuration settings are applied to the server in either of the following scenarios:

- When the system powers up for the first time
- When the system is restored to the default settings

Default configuration settings are sufficient for typical server operations. However, you can modify the configuration settings as needed. The system prompts you to access the Aptio Setup Utility every time the system is powered up.

Boot option control

This feature enables you:

- To choose the boot mode, select **Advanced > Boot Option**.
- To set the boot option priority, select **Boot > Boot Option Priorities**.
- To select the one time boot option, select **Save & Exit > Boot Override**.

This menu allows you to select the boot device for a specific boot and does not modify the boot order configuration settings.

To select the one time boot option directly during POST, press the **F11** key when prompted during system boot, and then select the preferred boot device.

Boot option

Use this option to set the boot mode for the system. The following boot modes are supported:

- UEFI boot mode — The UEFI boot mode is the default boot mode. It configures the server to boot UEFI-compatible operating systems, and is required to use certain Aptio Setup Utility options.
- Legacy boot mode — This boot mode configures the server to boot traditional operating systems in legacy BIOS-compatibility mode. Certain situations might require that you operate in legacy boot mode, such as booting custom OS images that were installed using legacy boot mode or created using a legacy BIOS system.

Selecting the boot mode

Procedure

1. Reboot the server.
2. To access the Aptio Setup Utility, press the **Del** or **F2** key.
3. Select **Advanced > Boot Option > Boot Mode**.
4. Select a boot mode setting, and then press the **Enter** key.
5. To confirm the change and exit the utility, press the **F4** key.

Restoring and customizing configuration settings

The following options are available for restoring or customizing the configuration settings:

- Reset all configuration settings to the factory default settings.
- Restore and use the system default configuration settings.

- Configure default settings as necessary, and then save the configuration as the user default configuration.
- Restore the user default configuration.
To restore the user default configuration, select **Save & Exit > Default Option > Restore User Default**.

Clearing the BIOS configuration settings

The server BIOS configuration settings such as the system date and time, boot sequence, and hardware settings are stored in the CMOS. These settings are configured in the Aptio Setup Utility.

You might need to clear the CMOS if any of the following conditions occur:

- POST errors or boot issues
- Corrupted BIOS settings
- Incorrect settings made in the Aptio Setup Utility have caused error messages to be unreadable.
- If there is a hardware compatibility issue of a known compatible component.
- If the power-on password is forgotten.

⚠ CAUTION: Be careful when clearing or altering the BIOS settings. Changing some settings might prevent the server from booting up correctly or might result in data loss.

Clearing the CMOS resets the BIOS settings to their factory default state. To clear the CMOS:

- If the Aptio Setup Utility is accessible, **use the Restore Defaults option under the Save & Exit menu.**
- If the Aptio Setup Utility is not accessible, **use the CMOS header.**

After clearing the CMOS, use the Aptio Setup Utility to reconfigure the BIOS settings.

Clearing the BIOS settings by using the Aptio Setup Utility

Procedure

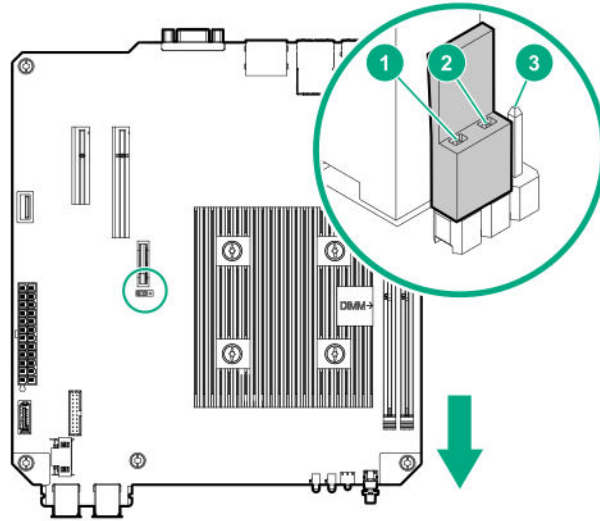
1. Reboot the server.
2. To access the Aptio Setup Utility, on the enter setup prompt, press the **F2** or **Del** key.
3. Select the **Save & Exit** menu.
4. Under **Default Options**, select **Restore Defaults**, and then press the **Enter** key.
5. Select **Yes**.
6. To confirm the change and exit the utility, press the **F4** key.

Clearing the BIOS settings by using the CMOS header

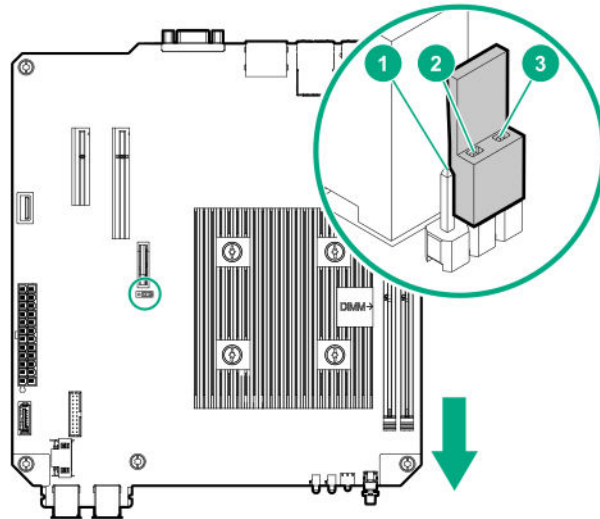
The arrow shown in the steps 6 and 7 illustrations points to the front of the server.

Procedure

1. **Power down the server** on page 25.
2. Disconnect the power cord from the AC source, and then from the server.
3. Disconnect all peripheral cables from the server.
4. **Remove the chassis cover** on page 29.
5. **Remove the system board assembly** on page 32.
6. Remove the jumper from its default position on pins 2 and 3, and place them on pins 1 and 2.



7. After five seconds, remove the jumper from pins 1 and 2, and move it back to the default position on pins 2 and 3.



8. **Install the system board assembly** on page 30.
9. **Install the chassis cover** on page 30.
10. Connect all peripheral cables to the server.

11. Connect the power cord to the server power jack, and then to the AC source.

12. **Power up the server** on page 25.

Embedded UEFI Shell

The system BIOS in this server includes an Embedded UEFI Shell in the ROM. The UEFI Shell environment provides an API, a command-line prompt, and a set of CLIs that allow scripting, file manipulation, and system information. These features enhance the capabilities of the Aptio Setup Utility.

For more information, see the UEFI Shell Specification on the UEFI website:

<http://www.uefi.org/specifications>

Secure Boot configuration

Secure Boot is implemented in the BIOS and does not require special hardware. Secure Boot ensures that each component launched during the boot process is digitally signed. Secure Boot also ensures that the signature is validated against a set of trusted certificates embedded in the UEFI BIOS.

Secure Boot validates the software identity of the following components in the boot process:

- UEFI drivers loaded from PCIe cards
- UEFI drivers loaded from mass storage devices
- Preboot UEFI shell applications
- OS UEFI boot loaders

When Secure Boot is enabled, only firmware components and operating systems with boot loaders that have an appropriate digital signature can be executed during the boot process. Only operating systems that support Secure Boot and have a UEFI boot loader signed with one of the authorized keys can boot.

User can customize the certificates embedded in the UEFI BIOS by adding or removing their own certificates.

Marvell BIOS Utility

The Marvell BIOS Utility (MBU) is built into the ROM of the embedded Marvell 88SE9230 PCIe to SATA 6Gb/s Controller. This Marvell storage controller supports the hardware RAID 0, 1, and 10 levels. Use the MBU to create and manage RAID virtual disks and arrays using the drives connected to the embedded storage controller.

For more information, see the *Marvell BIOS Utility User Guide for HPE MicroServer Gen10* in the Hewlett Packard Enterprise Support Center website:

<http://www.hpe.com/info/microservergen10-docs>

Accessing the Marvell BIOS Utility under UEFI boot mode

The UEFI boot mode is the server default boot mode.

Prerequisites

Accessing the MBU using the **RAID** command in the UEFI Shell prompt requires system BIOS version A330 or later. If needed, **update the system BIOS**.

Procedure

1. Reboot the server.
2. To access the One-Time Boot Menu, press the **F11** key when prompted.
3. Select **UEFI: Built-in EFI Shell**, and then press the **Enter** key.
4. At the `Shell` prompt, type **RAID**, and then press the **Enter** key.

```
Shell>RAID
```

Accessing the Marvell BIOS Utility under legacy boot mode

The UEFI boot mode is the server default boot mode. To switch to legacy boot mode, see [Selecting the boot mode](#) on page 66.

Procedure

1. Reboot the server.
2. On the POST drive information screen, press **Ctrl+M**.

Marvell Storage Utility

The Marvell Storage Utility (MSU) is a configuration and management utility for the embedded Marvell 88SE9230 PCIe to SATA 6Gb/s Controller. This Marvell storage controller supports hardware RAID 0, 1, and 10 levels. Use the MSU to create and manage RAID virtual disks and arrays using the drives connected to the embedded storage controller.

To enable MSU access through GUI or CLI, [install the MSU in the server](#).

For more information, see the *Marvell Storage Utility User Guide for HPE MicroServer Gen10* in the Hewlett Packard Enterprise Support Center website:

<http://www.hpe.com/info/microservergen10-docs>

Installing the Marvell Storage Utility

Prerequisites

Access to some HPESC downloads might require product entitlement. You must have an HPE Passport set up with relevant entitlements.

Procedure

1. Go to the HPE ProLiant MicroServer Gen10 download page:
<http://www.hpe.com/downloads/microservergen10>
2. Click **drivers, software & firmware**.
3. Select the server OS from the operating system drop-down menu.
4. Click **Utility**.
5. Download the Marvell Storage Utility (MSU) for HPE MicroServer Gen10 Server package to the target server.

6. Unzip the package and open the `Marvell_MSU` folder.
7. Follow the installation procedure described in the `instructions.txt` file.

HPE Smart Storage Administrator

HPE SSA is the main tool for configuring arrays on HPE Smart Array SR controllers. It exists in three interface formats: the HPE SSA GUI, the HPE SSA CLI, and HPE SSA Scripting. All formats provide support for configuration tasks. Some of the advanced tasks are available in only one format.

The diagnostic features in HPE SSA are also available in the standalone software HPE Smart Storage Administrator Diagnostics Utility CLI.

During the initial provisioning of the server or compute module, an array is required to be configured before the operating system can be installed. You can configure the array using SSA.

HPE SSA is accessible both offline (either through HPE Intelligent Provisioning or as a standalone bootable ISO image) and online:

- Accessing HPE SSA in the offline environment

! **IMPORTANT:** If you are updating an existing server in an offline environment, obtain the latest version of HPE SSA through Service Pack for ProLiant before performing configuration procedures.

Using one of multiple methods, you can run HPE SSA before launching the host operating system. In offline mode, users can configure or maintain detected and supported devices, such as optional Smart Array controllers and integrated Smart Array controllers. Some HPE SSA features are only available in the offline environment, such as setting the boot controller and boot volume.

- Accessing HPE SSA in the online environment

This method requires an administrator to download the HPE SSA executables and install them. You can run HPE SSA online after launching the host operating system.

For more information, see *HPE Smart Array SR Gen10 Configuration Guide* at the [Hewlett Packard Enterprise website](#).

USB support

Hewlett Packard Enterprise servers support both USB 2.0 ports and USB 3.0 ports. Both port types support installing all types of USB devices (USB 1.0, USB 2.0, and USB 3.0), but might run at lower speeds in specific situations:

- USB 3.0 capable devices operate at USB 2.0 speeds when installed in a USB 2.0 port.
- In UEFI boot mode, Hewlett Packard Enterprise provides legacy USB support in the preboot environment before the operating system loads for USB 1.0, USB 2.0, and USB 3.0 speeds.
- In legacy boot mode, Hewlett Packard Enterprise provides legacy USB support in the preboot environment before the operating system loads for USB 1.0 and USB 2.0 speeds. USB 3.0 ports can be used with all devices in legacy boot mode but are not available at USB 3.0 speeds in the preboot environment. Standard USB support (USB support from within the operating system) is provided by the OS through the appropriate USB device drivers. Support for USB 3.0 varies by operating system.

The pre-OS behavior of the USB ports is configurable in the [Aptio Setup Utility](#).

Keeping the system current

Firmware

Firmware is a software program that is stored in the system ROM chip on the system board or to an optional controller. Firmware controls the system when it is first powered on and then passes control to the operating system.

The firmware on the system board of the server is called the system ROM or the BIOS. The firmware on another piece of hardware configured in the server is called the option ROM.

Firmware update

Update the firmware (also called "flashing the ROM") as part of regular server maintenance. In addition, check for specific firmware updates in between regular updates to help keep the server performing optimally.

Firmware updates are created for, but are not limited to, the following reasons:

- To provide critical problem fixes that ensure system stability, such as upgrades that might prevent server unresponsiveness and other issues that could put the system at risk.
- To correct product issues, such as ROM or processor functionality.
- To improve system performance or make the system more serviceable.

Server downtime and time spent removing, returning, and ultimately replacing hardware might be avoided by first updating the firmware during the troubleshooting process. Many product issues that result in hardware replacement are preventable or correctable with a firmware update. Hewlett Packard Enterprise recommends checking for a firmware update before sending a part back to Hewlett Packard Enterprise for replacement.

On servers that have add-on options, Hewlett Packard Enterprise recommends checking for firmware upgrades for each installed option whenever an update to the system ROM or to another option is performed. This ensures that the entire system is running the latest updates for each component.

Multiple methods exist to update the system ROM:

- EFI tool under Embedded UEFI Shell
- Online Flash components

Product entitlement is required to perform updates.

⚠ CAUTION: Any kind of system interruption during the firmware update results in errors that might corrupt the BIOS settings. These errors prevent the server from booting up. To prevent these update errors, observe the following cautions:

- Attach a UPS to the server to provide backup power to the system when updating the firmware.
 - Do not perform a forced shutdown of the server.
 - Do not perform a forced closure of the firmware update tool.
-

User default settings after BIOS update

When updating the system BIOS from version A320 (or earlier) to version A330 (or later), the following system BIOS settings will revert to their factory default values:

- System time and date
- Drive configuration
- Boot device sequence
- System passwords
- Security setup

Before performing the BIOS update, manually record the user default values for these listed BIOS settings so that they can be restored after completing the BIOS update.

Updating the system ROM using the EFI tool from within the Embedded UEFI Shell

For systems configured in UEFI boot mode, use the following procedure to update the firmware.

Prerequisites

Access to some updates might require product entitlement when accessed through the Hewlett Packard Enterprise Support Center. You must have an HPE Passport set up with relevant entitlements.

Procedure

1. Access the System ROM Flash component for your server from the Hewlett Packard Enterprise Support Center website (<http://www.hpe.com/support/hpesc>) and save the package in a USB key.
2. Copy the file to a USB device.
3. Attach the USB device to the server.
4. To access the **One-Time Boot Menu** option, when prompted, press the **F11** key.
5. Select **UEFI: Built-in EFI Shell**.
6. To obtain the assigned file system volume for the USB key, enter the `map -r` command at the UEFI Shell prompt.
7. Change to the file system that contains the System ROM Flash Binary file that you downloaded for your server. Enter one of the `fsx` file systems available, such as `fs0` or `fs1`, and then press the **Enter** key.

If no other storage devices are mounted on the system, the USB drive is `fs0:` on the UEFI Shell.
8. To change from the current directory to the directory that contains the binary file, enter the `cd` command.
9. To flash the system ROM from the downloaded binary file, enter the `flashbios.nsh` command.
10. Reboot the server.

To ensure that the firmware update takes effect and for hardware stability to be maintained, system reboot is required.

Online Flash components

Online Flash components provide updated system firmware that can be installed directly on supported operating systems. To download this component, go to the Hewlett Packard Enterprise Support Center website (<http://www.hpe.com/support/hpesc>). Under **Select your HPE product**, enter the product name or number, and then click **Go**. To update the firmware, follow the instructions inside the firmware update package. The firmware update takes effect after rebooting the server.

Drivers, firmware, and software updates

❗ **IMPORTANT:** Always perform a backup before installing or updating device drivers.

- For the latest option ROM and driver updates for Hewlett Packard Enterprise hardware options, download the individual drivers, firmware, and components from the Hewlett Packard Enterprise Support Center website (<http://www.hpe.com/support/hpesc>). Under **Select your HPE product**, enter the product name or number, and then click **Go**.
- For the latest system ROM and other systems software components, download the individual drivers, firmware, and components from the server download page on the Hewlett Packard Enterprise website: <http://www.hpe.com/downloads/microservergen10>

Operating System Version Support

For information about specific versions of a supported operating system, refer to the [operating system support matrix](#).

HPE Pointnext Portfolio

HPE Pointnext delivers confidence, reduces risk, and helps customers realize agility and stability. Hewlett Packard Enterprise helps customers succeed through Hybrid IT by simplifying and enriching the on-premise experience, informed by public cloud qualities and attributes.

Operational Support Services enable you to choose the right service level, length of coverage, and response time to fit your business needs. For more information, see the Hewlett Packard Enterprise website:

<https://www.hpe.com/us/en/services/operational.html>

Utilize the Advisory and Transformation Services in the following areas:

- Private or hybrid cloud computing
- Big data and mobility requirements
- Improving data center infrastructure
- Better use of server, storage, and networking technology

For more information, see the Hewlett Packard Enterprise website:

<http://www.hpe.com/services/consulting>

Proactive notifications

30 to 60 days in advance, Hewlett Packard Enterprise sends notifications to subscribed customers on upcoming:

- Hardware, firmware, and software changes
- Bulletins
- Patches
- Security alerts

You can subscribe to proactive notifications on the [Hewlett Packard Enterprise website](#).

Troubleshooting

Troubleshooting resources

Use the following resources for troubleshooting the system:

- For information on resolving common problems, comprehensive courses of action for fault isolation and identification, issue resolution, and software maintenance, see the *HPE ProLiant MicroServer Gen10 Troubleshooting Guide* at:

<http://www.hpe.com/info/gen10-troubleshooting>

- For information on the latest server download options, issue resolutions, user documentation, and product advisories, see the HPE ProLiant MicroServer Gen10 support page at:

<http://www.hpe.com/support/microservergen10>

System battery replacement

System battery information

The server contains an internal lithium manganese dioxide, a vanadium pentoxide, or an alkaline battery that provides power to the real-time clock. If this battery is not properly handled, a risk of the fire and burns exists. To reduce the risk of personal injury:

- Do not attempt to recharge the battery.
- Do not expose the battery to temperatures higher than 60°C (140°F).
- Do not disassemble, crush, puncture, short external contacts, or dispose the battery in fire or water.
- If the server no longer automatically displays the correct date and time, then replace the battery that provides power to the real-time clock. Under normal use, battery life is 5 to 10 years.

Replacing a system battery

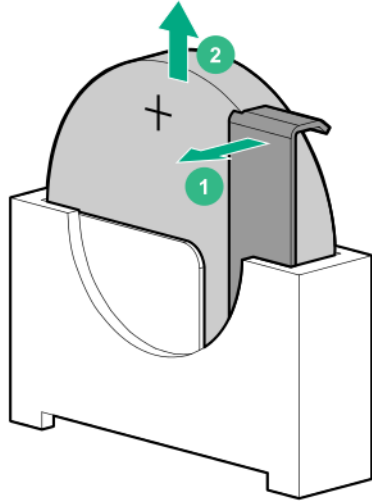
Procedure

1. **Power down the server** on page 25.
2. Disconnect the power cord from the AC source, and then from the server.
3. Disconnect all peripheral cables from the server.
4. **Remove the chassis cover** on page 29.
5. **Remove the system board assembly** on page 32.
6. **Replace the system battery** on page 76.
7. **Install the system board assembly** on page 30.
8. **Install the chassis cover** on page 30.
9. Connect all peripheral cables to the server.
10. Connect the power cord to the server power jack, and then to the AC source.
11. **Power up the server** on page 25.

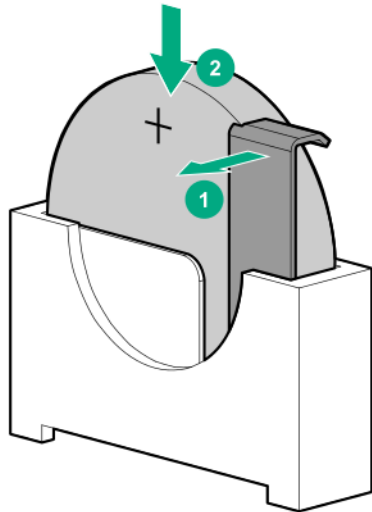
Replace the system battery

Procedure

1. **Locate the battery on the system board.**
2. Slightly push the metal tab, and then remove the system battery from its socket.



3. Slightly push the metal lab, and then install the new system battery in the socket.



For more information about battery replacement or proper disposal, contact an authorized reseller or an authorized service provider.

Specifications

Environmental specifications

Specification	Value
Temperature range¹	—
Operating ²	10°C to 35°C (50°F to 95°F)
Nonoperating	-30°C to 60°C (-22°F to 140°F)
Relative humidity (noncondensing)	—
Operating	10% to 90% 28°C (82.4°F) maximum wet bulb temperature (noncondensing) across the operating temperature range of 0°C to 40°C.
Nonoperating	5% to 95% 38.7°C (101.7°F), maximum wet bulb temperature

¹ All temperature ratings shown are for sea level. An altitude derating of 1.0°C per 304.8 m (1.8°F per 1000 ft) to 3048 m (10,000 ft) is applicable. No direct sunlight allowed. Maximum rate of change is 20°C per hour (36°F per hour). The upper limit and rate of change might be limited by the type and number of options installed.

² System performance during standard operation might degrade if there is a fan fault or if the internal server temperature is above 30°C (86°F).

Server specifications

Dimension	Value
Height	23.50 cm (9.25 in)
Depth	25.40 cm (10.00 in)
Width	23.00 cm (9.06 in)
Weight (approximate values)	
Minimum (one drive and one DIMM installed, no media drive or expansion board installed)	6.495 kg (14.32 lb)
Maximum (four drives, two DIMMs, optical drive or SSD, and two expansion boards installed)	9.69 kg (21.36 lb)

Power supply specifications

The server is configured with a non-hot-plug, nonredundant 200 W power supply.

200 W power supply specifications

Specification	Value
Input requirements	
Rated input voltage	100 V AC to 240 V AC
Rated input frequency	50 Hz to 60 Hz
Rated input current	3.5 A at 100 V AC
Rated input power	244 W at 115 V AC
Efficiency	>82% at full load
Power supply output	
Rated steady-state power	200 W
Maximum peak power	200 W
Rated output power	200 W

Safety, warranty, and regulatory information

Regulatory information

To view the regulatory information for your product, view the *Safety and Compliance Information for Server, Storage, Power, Networking, and Rack Products*, available at the Hewlett Packard Enterprise Support Center:

www.hpe.com/support/Safety-Compliance-EnterpriseProducts

Additional regulatory information

Hewlett Packard Enterprise is committed to providing our customers with information about the chemical substances in our products as needed to comply with legal requirements such as REACH (Regulation EC No 1907/2006 of the European Parliament and the Council). A chemical information report for this product can be found at:

www.hpe.com/info/reach

For Hewlett Packard Enterprise product environmental and safety information and compliance data, including RoHS and REACH, see:

www.hpe.com/info/ecodata

For Hewlett Packard Enterprise environmental information, including company programs, product recycling, and energy efficiency, see:

www.hpe.com/info/environment

Local representative information

Local representative information Russian

Russia:

ООО «Хьюлетт Паккард Энтерпрайз», Российская Федерация, 125171, г. Москва, Ленинградское шоссе, 16А, стр.3, Телефон/факс: +7 495 797 35 00

Belarus:

ИООО «Хьюлетт-Паккард Бел», Республика Беларусь, 220030, г. Минск, ул. Интернациональная, 36-1, Телефон/факс: +375 17 392 28 20

Kazakhstan:

ТОО «Хьюлетт-Паккард (К)», Республика Казахстан, 050040, г. Алматы, Бостандыкский район, проспект Аль-Фараби, 77/7, Телефон/факс: + 7 727 355 35 50

Local representative information Kazakh

Russia:

ЖШС "Хьюлетт Паккард Энтерпрайз" Ресей Федерациясы, 125171, Мәскеу, Ленинград тас жолы, 16А блок 3, Телефон/факс: +7 495 797 35 00

Belarus:

«HEWLETT-PACKARD Bel» ЖШС, Беларусь Республикасы, 220030, Минск қ.,
Интернациональная көшесі, 36/1, Телефон/факс: +375 17 392 28 20

Kazakhstan:

ЖШС «Хьюлетт-Паккард (К)», Қазақстан Республикасы, 050040, Алматы қ.,
Бостандық ауданы, Әл-Фараби даңғылы, 77/7, Телефон/факс: +7 727 355 35 50

Turkey RoHS material content declaration

Türkiye Cumhuriyeti: EEE Yönetmeliğine Uygundur

Ukraine RoHS material content declaration

Обладнання відповідає вимогам Технічного регламенту щодо обмеження використання деяких небезпечних речовин в електричному та електронному обладнанні, затвердженого постановою Кабінету Міністрів України від 3 грудня 2008 № 1057

Warranty information

To view the warranty information for your product, see the links provided below:

HPE ProLiant and IA-32 Servers and Options

www.hpe.com/support/ProLiantServers-Warranties

HPE Enterprise and Cloudline Servers

www.hpe.com/support/EnterpriseServers-Warranties

HPE Storage Products

www.hpe.com/support/Storage-Warranties

HPE Networking Products

www.hpe.com/support/Networking-Warranties

Websites

General websites

Hewlett Packard Enterprise Information Library

www.hpe.com/info/EIL

Subscription Service/Support Alerts

www.hpe.com/support/e-updates

Single Point of Connectivity Knowledge (SPOCK) Storage compatibility matrix

www.hpe.com/storage/spock

Storage white papers and analyst reports

www.hpe.com/storage/whitepapers

For additional general support websites, see [Support and other resources](#).

Product websites

Product QuickSpecs

<http://www.hpe.com/servers/microserver>

HPE ProLiant MicroServer Gen10 support page

<http://www.hpe.com/support/microservergen10>

HPE ProLiant MicroServer Gen10 documents

<http://www.hpe.com/info/microservergen10-docs>

Support and other resources

Accessing Hewlett Packard Enterprise Support

- For live assistance, go to the Contact Hewlett Packard Enterprise Worldwide website:
<http://www.hpe.com/assistance>
- To access documentation and support services, go to the Hewlett Packard Enterprise Support Center website:
<http://www.hpe.com/support/hpesc>

Information to collect

- Technical support registration number (if applicable)
- Product name, model or version, and serial number
- Operating system name and version
- Firmware version
- Error messages
- Product-specific reports and logs
- Add-on products or components
- Third-party products or components

ClearCARE technical support

Support for ClearOS and ClearVM is not provided by Hewlett Packard Enterprise. Support for ClearOS and ClearVM is purchased and delivered by ClearCenter. You can purchase single support incidents by submitting a support ticket to ClearCenter, or you can purchase a Bronze, Silver, Gold, or Platinum ClearCARE subscription. For more information, go to the ClearOS website:

<https://www.clearos.com/>

Several levels of professional technical support are available to licensed users. For more information, go to the ClearCARE support website:

<https://www.clearos.com/products/support/clearcare-overview>

Accessing updates

- Some software products provide a mechanism for accessing software updates through the product interface. Review your product documentation to identify the recommended software update method.
- To download product updates:

Hewlett Packard Enterprise Support Center

www.hpe.com/support/hpesc

Hewlett Packard Enterprise Support Center: Software downloads

www.hpe.com/support/downloads

Software Depot

www.hpe.com/support/softwaredepot

- To subscribe to eNewsletters and alerts:

www.hpe.com/support/e-updates

- To view and update your entitlements, and to link your contracts and warranties with your profile, go to the Hewlett Packard Enterprise Support Center **More Information on Access to Support Materials** page:

www.hpe.com/support/AccessToSupportMaterials

-
- ❗ **IMPORTANT:** Access to some updates might require product entitlement when accessed through the Hewlett Packard Enterprise Support Center. You must have an HPE Passport set up with relevant entitlements.
-

Customer self repair

Hewlett Packard Enterprise customer self repair (CSR) programs allow you to repair your product. If a CSR part needs to be replaced, it will be shipped directly to you so that you can install it at your convenience. Some parts do not qualify for CSR. Your Hewlett Packard Enterprise authorized service provider will determine whether a repair can be accomplished by CSR.

For more information about CSR, contact your local service provider or go to the CSR website:

<http://www.hpe.com/support/selfrepair>

Documentation feedback

Hewlett Packard Enterprise is committed to providing documentation that meets your needs. To help us improve the documentation, send any errors, suggestions, or comments to Documentation Feedback (docsfeedback@hpe.com). When submitting your feedback, include the document title, part number, edition, and publication date located on the front cover of the document. For online help content, include the product name, product version, help edition, and publication date located on the legal notices page.

Acronyms and abbreviations

3DS TSV

Three-dimensional stacked through-silicon via (integrated circuit packaging technology)

API

application program interface

CAS

column address strobe

CSR

Customer Self Repair

DDR4

double data rate-4

EAC

EurAsian Conformity

fsx

file system exerciser

HPE RSS

HPE Rapid Setup Software

HPE SSA

HPE Smart Storage Administrator

ISO

International Organization for Standardization

LFF

Large form factor

LRDIMM

load reduced dual in-line memory module

PCIe

Peripheral Component Interconnect Express

PDU

power distribution unit

POST

Power-On Self-Test

PSU

power supply unit

RDIMM

registered dual in-line memory module

RoHS

Restriction of Hazardous Substances

SATA

serial ATA

SSD

solid-state drive

TPM

Trusted Platform Module

TMRA

recommended ambient operating temperature

UDIMM

unregistered dual in-line memory module

UEFI

Unified Extensible Firmware Interface

UPS

uninterruptible power supply