

# AccessPRO<sup>®</sup>

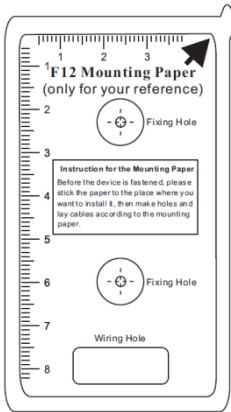


## F12

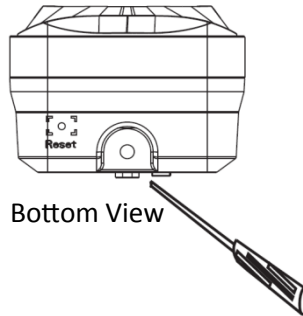
Fingerprint reader / Proximity reader / RS485 / Interior / Exterior / IP65

# Installation Manual

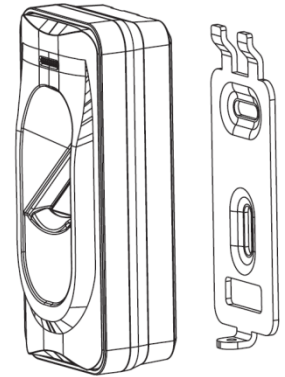
## 1. Device installation



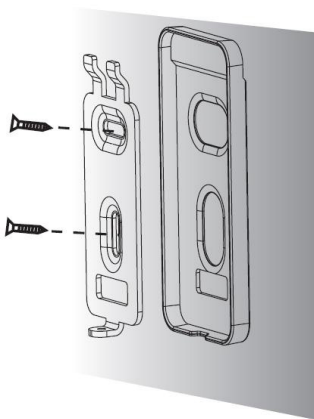
1.1 Use the mounting paper as reference to make holes in the wall for the included dowels.



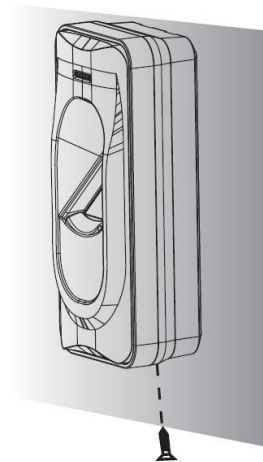
1.2. Remove the screw located at the bottom of the reader.



1.3. Remove the metallic mounting and the plastic cover of the backside.



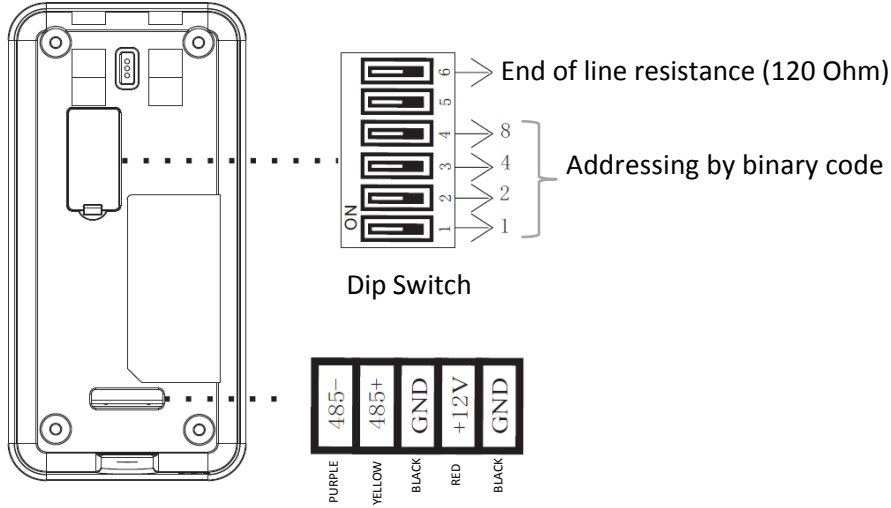
1.4. Place the plastic cover first followed by the metallic mounting and tighten the screws steadily.



1.5. Place the reader on the metallic mounting and tighten the screw on the bottom of the reader.

## 2. Addressing

2.1. It's necessary to address the readers to distinguish between doors and the status (entry or exit) in the access controllers AccessPRO2 and AccessPRO4



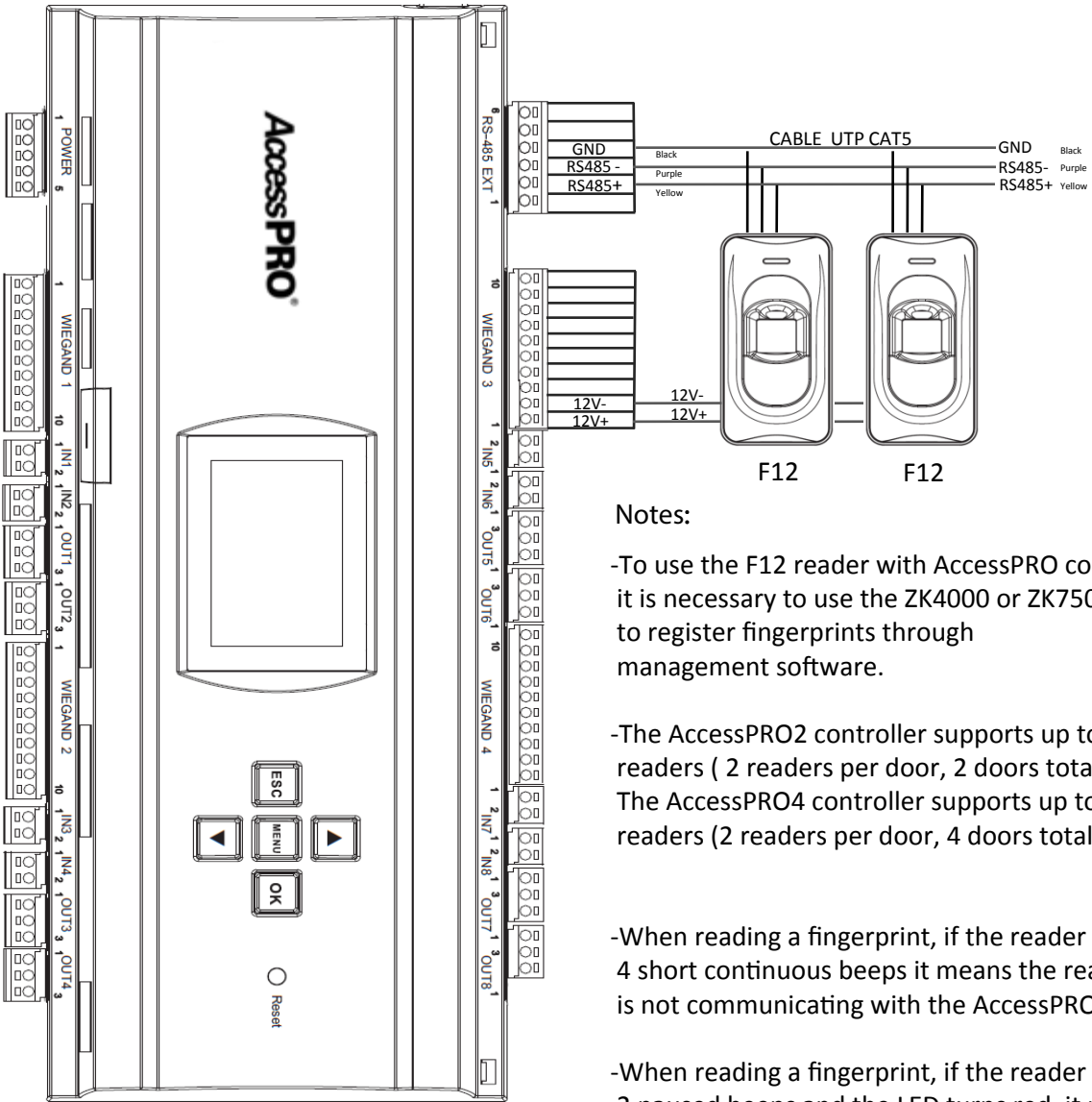
2.2.2. The Dip Switch is located on the backside of the reader, it has 6 switches that are explained below:

1. The first four switches are used to establish the RS485 address in the reader through the binary code.
2. Switch 5 is not used.
3. Switch 6 is the end of line resistance. It's activated on the last reader of the RS485 serial connection enabling a 120 Ohm resistance.
4. Activate switch 6 in case the cabling exceeds 100 meters.
5. Use UTP Cat5 cable for RS485 communication.

2.3. The addressing is performed through binary code which is described below:

Address	Switches	Function	Address	Switches	Function
1		Door1 - Entry	5		Door 3 - Entry
2		Door 1 - Exit	6		Door 3 - Exit
3		Door 2 - Entry	7		Door 4 - Entry
4		Door 2 - Exit	8		Door 4 - Exit

## 3. Connection with AccessPRO2 and AccessPRO4 Controllers



ZK7500



ZK4000

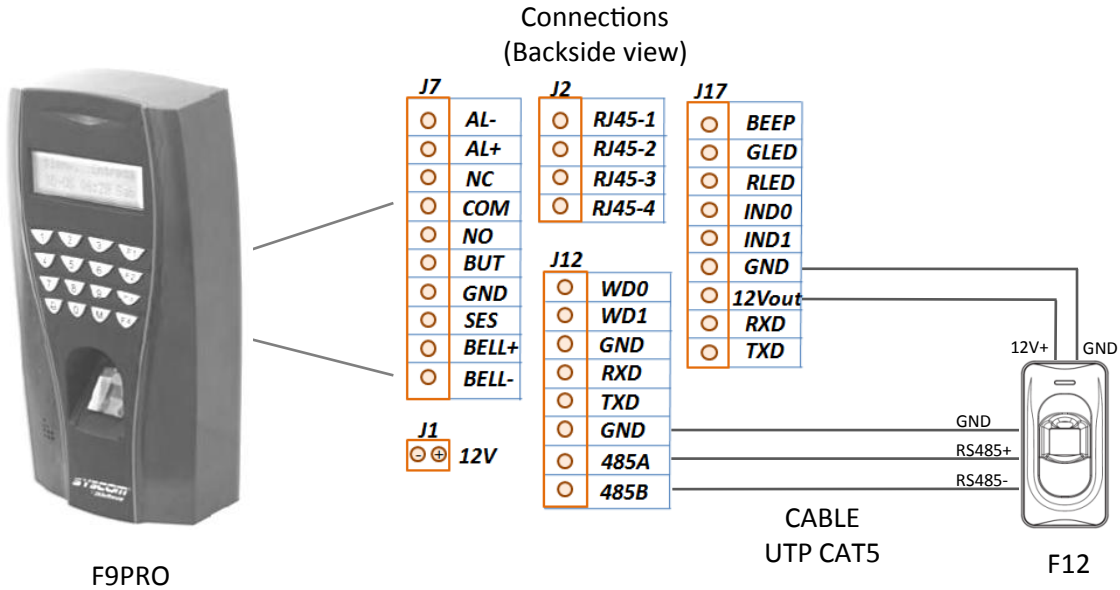
Fingerprint enrollment USB readers.

### Notes:

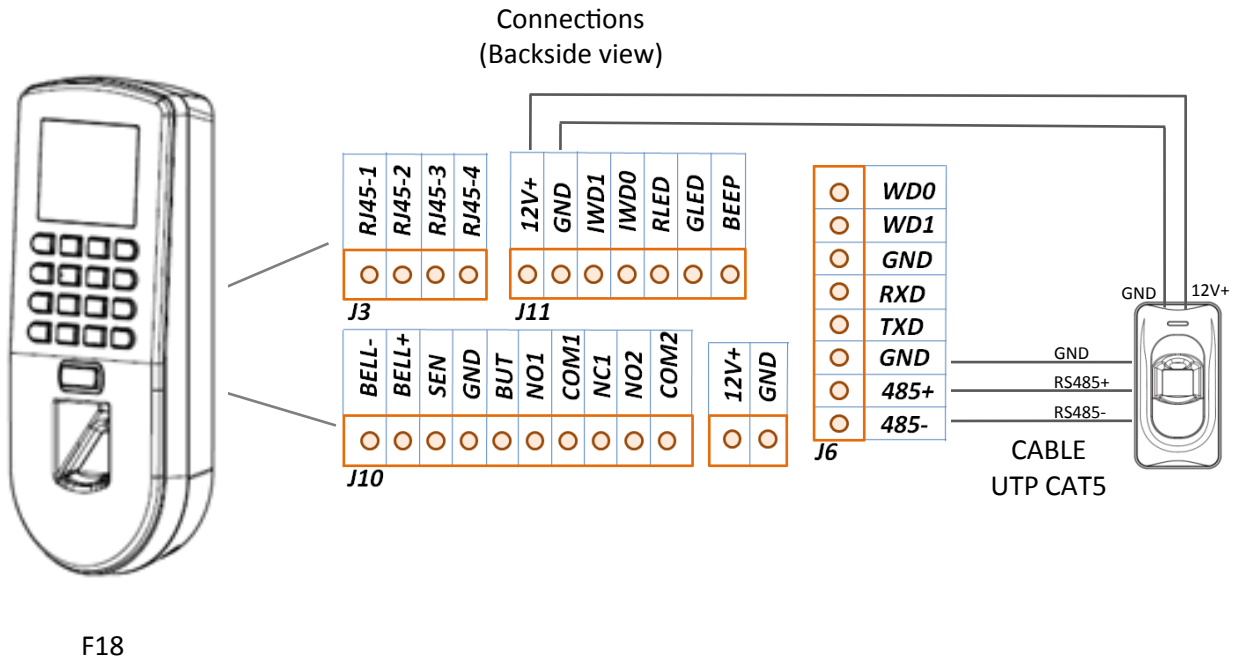
- To use the F12 reader with AccessPRO controllers it is necessary to use the ZK4000 or ZK7500 readers to register fingerprints through management software.
- The AccessPRO2 controller supports up to 4 F12 readers ( 2 readers per door, 2 doors total). The AccessPRO4 controller supports up to 8 F12 readers (2 readers per door, 4 doors total).
- When reading a fingerprint, if the reader makes 4 short continuous beeps it means the reader is not communicating with the AccessPRO.
- When reading a fingerprint, if the reader makes 2 paused beeps and the LED turns red, it means the reader is communicating with the controller but the fingerprint is not registered.
- Do not connect more the 2 F12 readers per energy terminal.
- Use UTP Cat5 cable for RS485 communication.
- Activate the switch 6 in case the cabling exceeds 100 meters.

## 4. Connection with Reader F9PRO and F19

### 4.1. Connection with F9PRO reader.

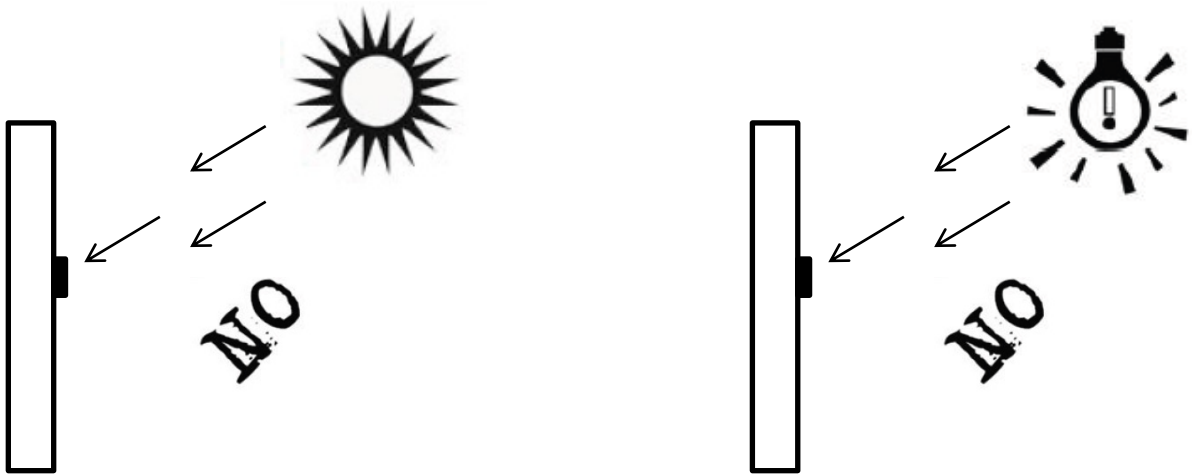


### 4.2. Connection with F19 reader.

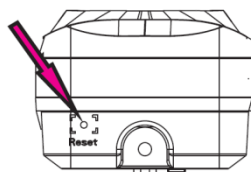


Note: When connecting the F12 with the F9PRO or F19 readers, the F12 reader must have Address 1 in the dip switch.

## 5. Things to Consider



5.1. The F12 is an optic sensor, and thus, it is affected by intense light (sunlight/artificial light) that hits it directly. Do not install under this conditions.



5.2. In case the reader presents problems or doesn't respond, it can be restarted with the button located on the inferior left side of the device. Use a fine tool with a diameter that is less than 2 mm.

## 6. Features

Optic sensor.

- Protection grade: IP65
- Communication: RS485.
- Built-in proximity reader.
- Voltage: 12 Vdc.
- Operating temperature: 0 ~ 45 °C.
- Dimensions: 50 x 102 x 37 mm.
- Compatible with ACCESPRO2, ACCESSPRO4, F9PRO readers and F18.

More Information

[www.syscom.mx](http://www.syscom.mx)

Check out our Youtube channel

[www.youtube.com/accessprosecurity](http://www.youtube.com/accessprosecurity)

**AccessPRO<sup>®</sup>**