

K29948703 Volume Control Knob Replacement for TK-2000, 3000K

TK-3000

PARTS LIST

* New Parts. Δ indicates safety critical components.

Parts without **Parts No.** are not supplied.

Les articles non mentionnés dans le **Parts No.** ne sont pas fournis.

Teile ohne **Parts No.** werden nicht geliefert.

L : Scandinavia

K : USA

P : Canada

Y : PX (Far East, Hawaii)

T : England

E : Europe

C : China

X : Australia

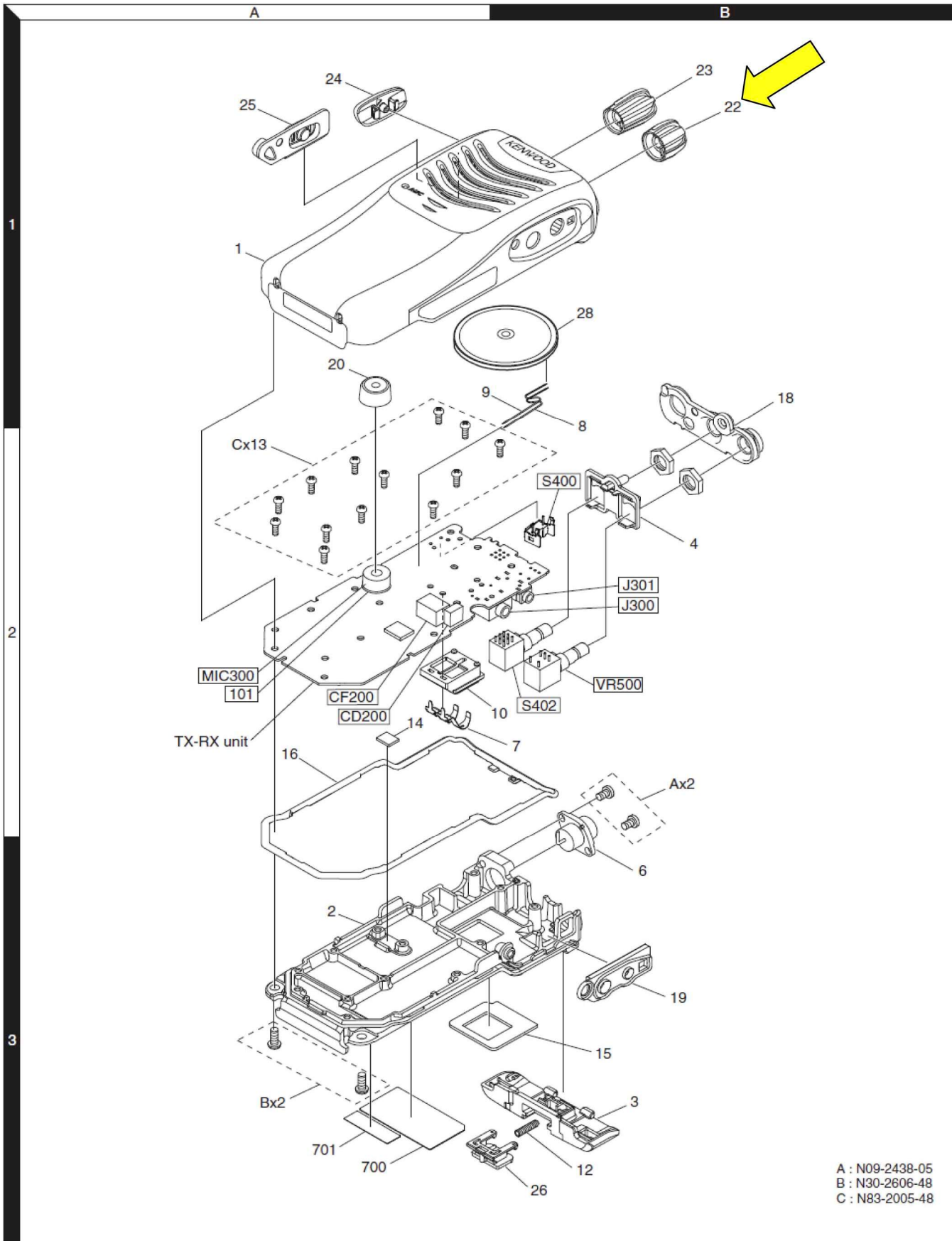
M : Other Areas

TK-3000

TX-RX UNIT (X57-8103-XX)

Ref. No.	Address	New parts	Parts No.	Description	Destination	Ref. No.	Address	New parts	Parts No.	Description	Destination
TK-3000						TX-RX UNIT (X57-8103-XX) -00 : K, M -01 : M2					
1	1A		A02-4135-03	PLASTIC CABINET ASSY		D400			B30-1782-05	LED(GREEN)	
2	3A		A10-4150-11	CHASSIS		D401			B30-1779-05	LED(RED)	
3	3B		A82-0081-02	REAR PANEL		C1			CS77CA1ER47M	CHIP TNTL 0.47UF 25WV	
4	2B		B11-1892-03	ILLUMINATION GUIDE		C2			CK73HB1H102K	CHIP C 1000PF K	
6	3B		E04-0486-05	RF COAXIAL RECEPTACLE(SMA)		C3			CK73HB1A104K	CHIP C 0.10UF K	
7	2A		E23-1364-04	TERMINAL (BATT)		C4			CS77CA1C100M	CHIP TNTL 10UF 16WV	
8	1B		E37-1535-05	PROCESSED LEAD WIRE(SP+ BROWN)		C5			CS77CA1E010M	CHIP TNTL 1.0UF 25WV	
9	1B		E37-1536-05	PROCESSED LEAD WIRE(SP+ GREEN)		C7			CC73HCH1H150J	CHIP C 15PF J	K,M
10	2A		E72-0436-03	TERMINAL BLOCK		C7			CC73HCH1H270J	CHIP C 27PF J	M2
12	3B		G01-4571-04	COIL SPRING		C8			CK73HB1A104K	CHIP C 0.10UF K	
14	2A		G11-4437-04	SHEET(Q102-SHASSIS)		C9			CC73HCH1H030B	CHIP C 3.0PF B	
15	3B		G13-2348-14	CUSHION(BATT-TERMINAL)		C10,11			CK73HB1A105K	CHIP C 1.0UF K	
16	2A		G53-1867-03	PACKING(CHASSIS)		C12			CC73HCH1H220J	CHIP C 22PF J	K,M
18	1B		G53-1868-02	PACKING(TOP)		C12			CC73HCH1H270J	CHIP C 27PF J	M2
19	3B		G53-1869-03	PACKING(JACK)		C13			CS77CP0J010M	CHIP TNTL 1.0UF 6.3WV	
20	1A		G53-1871-04	PACKING(MIC)		C14,15			CK73HB1C103K	CHIP C 0.010UF K	
22	1B		K29-9487-03	KNOB(VOL)		C16			CK73HB1H102K	CHIP C 1000PF K	
23	1B		K29-9488-03	KNOB(SELECTOR)		C17			CC73HCH1H040B	CHIP C 4.0PF B	
24	1A		K29-9489-03	KNOB(PTT)		C19			CK73HB1H102K	CHIP C 1000PF K	
25	1A		K29-9490-03	BUTTON KNOB(SIDE KEY)		C20			CS77CA1A220M	CHIP TNTL 2.2UF 10WV	
26	3B		K29-9491-03	LEVER KNOB(BATTERY)		C21			CC73GCH1H0R5B	CHIP C 0.5PF B	M2
A	2B		N09-2438-05	BINDING HEAD SCREW(ANT)		C21,22			CC73GCH1HR75B	CHIP C 0.75PF B	K,M
B	3A		N30-2606-48	PAN HEAD MACHINE SCREW(CABINET)		C22			CK73GB1H102K	CHIP C 1000PF K	M2
C	1A,2A		N83-2005-48	PAN HEAD TAPTITE SCREW(X57)		C23,24			CK73HB1H102K	CHIP C 1000PF K	
28	1B		T07-0787-05	SPEAKER		C25			CC73HCH1H050B	CHIP C 5.0PF B	
						C26			CK73HB1H102K	CHIP C 1000PF K	
						C27			CC73HCH1H220J	CHIP C 22PF J	





A : N09-2438-05
 B : N30-2606-48
 C : N83-2005-48