

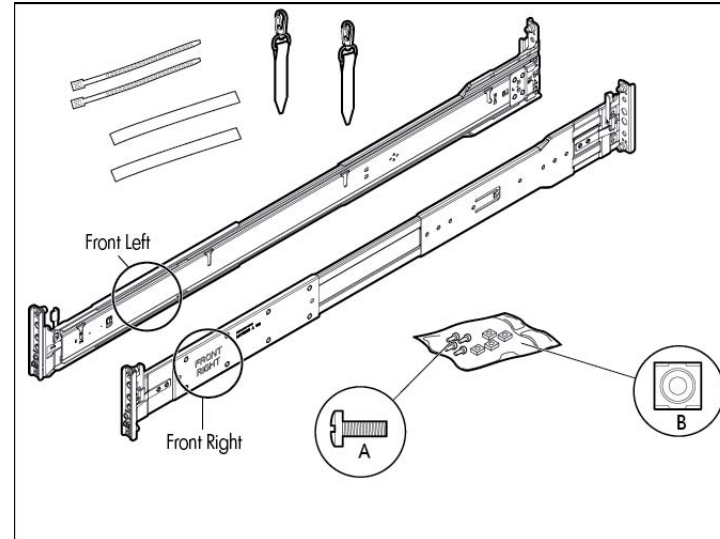
# Quick Deploy Rail System Installation Instructions



## Hardware kit contents

**WARNING:** To reduce the risk of personal injury or damage to the equipment, at least two people are required to lift the server during installation or removal.

**IMPORTANT:** When installing the rack rails, be sure they are oriented Front Left and Front Right, as indicated on the rails.



Item	Hardware (Scale: 1:1)	Quantity/Tool
A		4/ Slotted T-25
B		4
Y Not shown	User provided	You must provide the following: <ul style="list-style-type: none"> <li>Screws to secure the slide mounting bracket assemblies in a threaded-hole rack</li> <li>Cage nuts for a round-hole rack</li> </ul>

In addition to the supplied items, you might need:

- Screws that fit a threaded-hole rack
- The appropriate screwdriver for the screws
- Kit 371482-B21 for integrated shipping in a round-hole rack
- An optional installation tool (695539-001). This tool is available for assistance in installing the server into the rack. Refer to the tool part number when contacting your local service representative.

## Rack warnings

- WARNING:** To reduce the risk of personal injury or damage to the equipment, be sure that:
- The leveling jacks are extended to the floor.
  - The full weight of the rack rests on the leveling jacks.
  - The stabilizing feet are attached to the rack if it is a single-rack installation.
  - The racks are coupled together in multiple-rack installations.
  - Only one component is extended at a time. A rack may become unstable if more than one component is extended for any reason.

**WARNING:** If you are going to use a lift, be sure to use a lift that can handle the load of the component.

## Anti-tip stabilizer

The anti-tip stabilizers provide stability and support when equipment is installed, removed or accessed within the rack. Stabilizer kits are available in both 600-mm and 800-mm versions. HP also recommends using the side feet, provided with these kits, to stabilize stand-alone racks from the other side. If you are stabilizing racks that are secured together with baying kits, the side feet are optional on either end of the row.

HP recommends that stabilizer option kits be used when one or more of the following situations occur:

- The standard 600-mm (23.62-in) or 800-mm (31.50-in) front foot is required with deployments of stand-alone racks.
- Side feet, which are included in the stabilizer kits, are recommended to be installed as well.

Rack rows with four or more bayed racks, without a single rack-mountable component exceeding 99.79 kg (220 lb), do not need a stabilizer kit installed.

## Overview

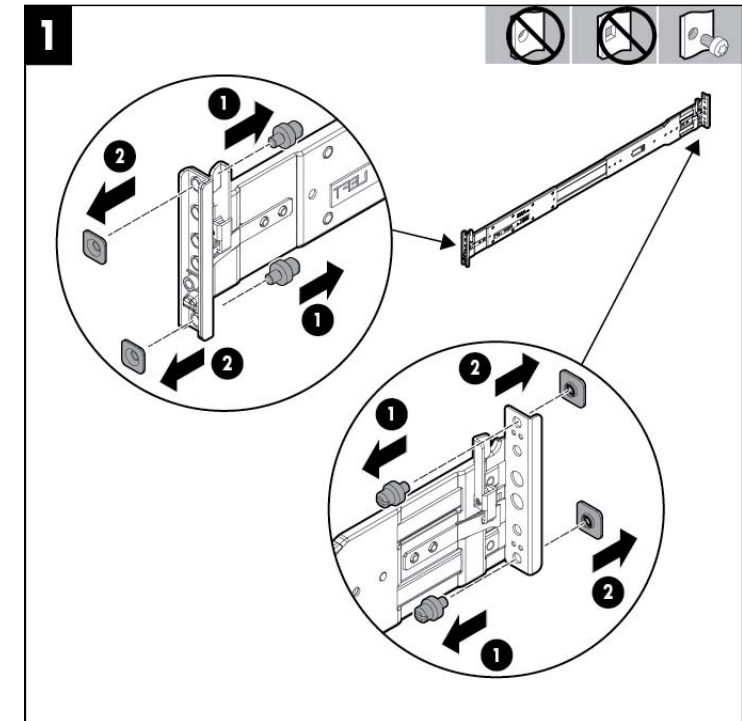
This rack hardware kit supports a variety of products in round-, square-, or threaded-hole racks. Use the legend to identify installation steps appropriate to the type of rack.

## Rack identification legend

Round-hole racks	Square-hole racks	Threaded-hole racks
No tools required	No tools required	—

## Installing the rail kit into a rack

- WARNING:** To avoid risk of personal injury or damage to the equipment, do not stack anything on top of rail-mounted equipment or use it as a work surface when extended from the rack.
- CAUTION:** Always plan the rack installation so that the heaviest item is on the bottom of the rack. Install the heaviest item first, and continue to populate the rack from the bottom to the top.



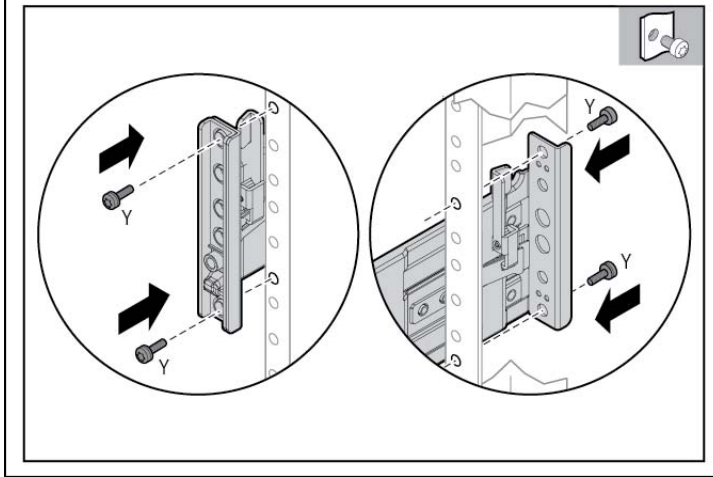
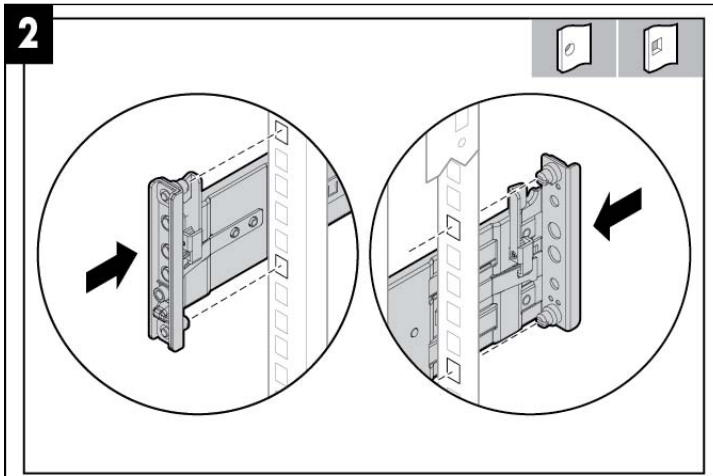
© Copyright 2013 Hewlett-Packard Development Company, L.P.

The information contained herein is subject to change without notice. The only warranties for HP products and services are set forth in the express warranty statements accompanying such products and services. Nothing herein should be construed as constituting an additional warranty. HP shall not be liable for technical or editorial errors or omissions contained herein.

Part Number: 726957-002  
June 2013  
Edition: 2



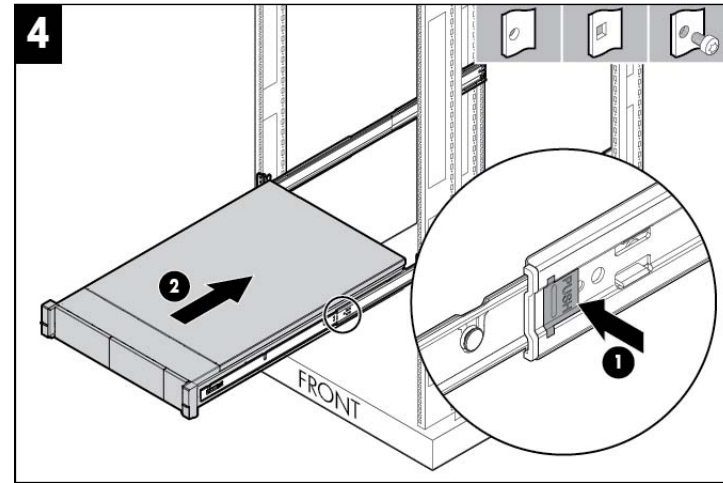
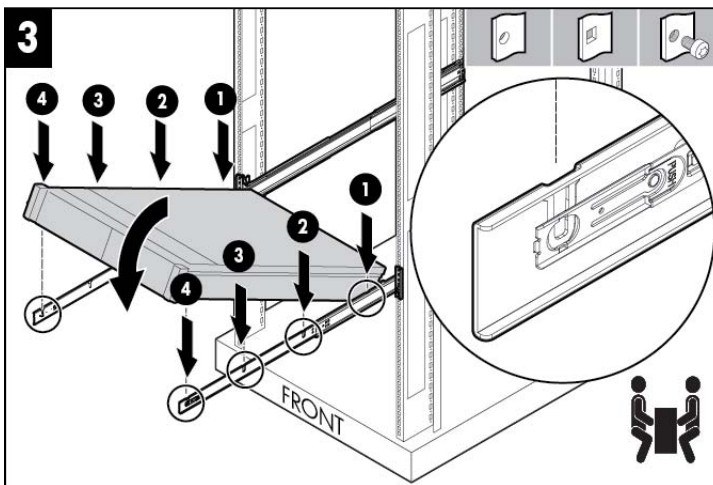
726957-002



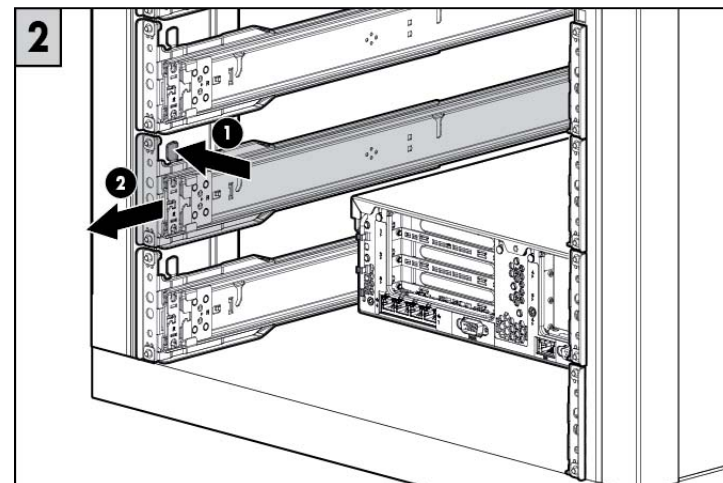
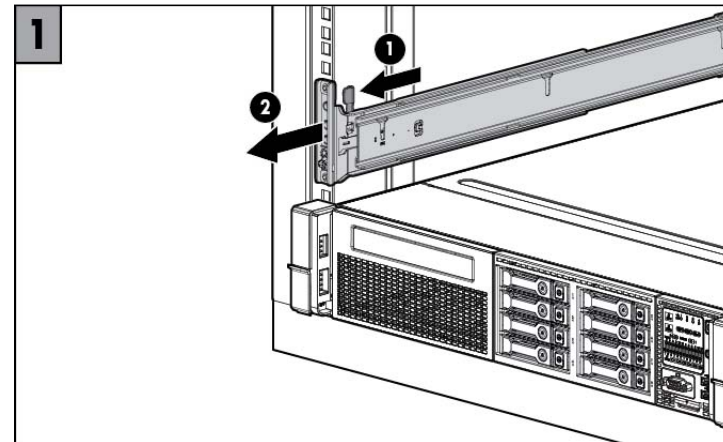
**WARNING:** To reduce the risk of personal injury or damage to the equipment:

- Be sure that the rack is adequately stabilized before installing the server.
- At least two people are required to lift the server during installation or removal.

**IMPORTANT:** To ensure proper installation, install the server into rack rail slots 1 first.



### (optional) Removing the rail



### Connecting the power cords

After completing all installation and cable management procedures, you can connect the power cords to the facility power source.

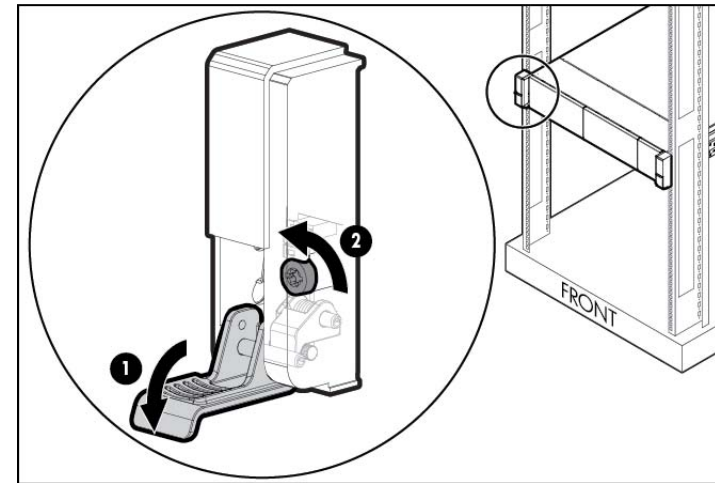
**WARNING:** To reduce the risk of electric shock or damage to the equipment:

- Do not disable the power cord grounding plug. The grounding plug is an important safety feature.
- Plug the power cord into a grounded (earthed) electrical outlet that is easily accessible at all times.
- Unplug the power cord from the power supply to disconnect power to the equipment.
- Do not route the power cord where it can be walked on or pinched by items placed against it. Pay particular attention to the plug, electrical outlet, and the point where the cord extends from the server.

The installation is complete.

### Loosening the shipping screws

To slide the server out of the rack, open the latches and loosen the shipping screws.



### Documentation feedback

HP is committed to providing documentation that meets your needs. To help us improve the documentation, send any errors, suggestions, or comments to Documentation Feedback (<mailto:docsfeedback@hp.com>). Include the document title and part number, version number, or the URL when submitting your feedback.