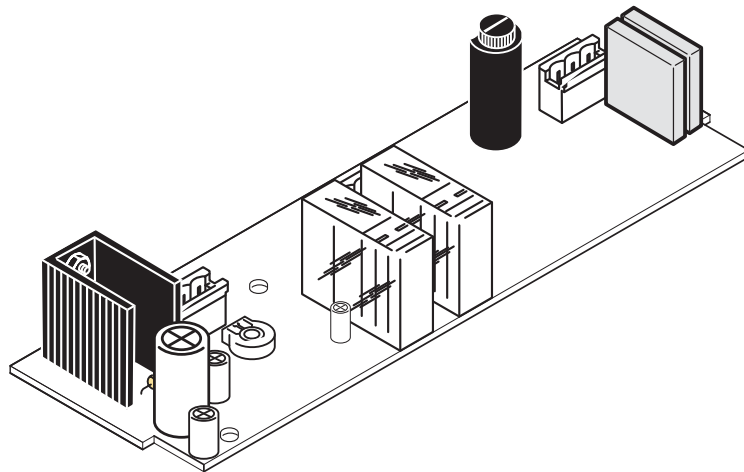


BATTERY CHARGER CARD FOR ZL90 AND ZN2 CONTROL PANEL

LB90



INSTALLATION MANUAL

“IMPORTANT INSTALLATION, SAFETY INSTRUCTIONS”

“CAUTION: IMPROPER INSTALLATION MAY CAUSE SERIOUS DAMAGE, FOLLOW ALL INSTALLATION INSTRUCTIONS CAREFULLY”

“THIS MANUAL IS ONLY FOR PROFESSIONAL OR QUALIFIED INSTALLERS”



1 Legend of symbols



This symbol tells you to read the section with particular care.



This symbol tells you that the sections concern safety issues.

2 Intended use

The LB90 battery charger card is designed as an emergency device for the ZL90 and ZN2 electronic cards.



Any use, other than that above described and, any installations other than those described in this manual, are forbidden.

3 Reference Standards

This product complies with the following standards: see declaration of conformity.

4 Description

Emergency functioning card for 24V d.c. gearmotors and battery recharging.

This product is engineered and manufactured by CAME CANCELLI AUTOMATICI S.p.A. and complies with current safety regulations. Guaranteed 24 months if not tampered with.

4.1 Technical features

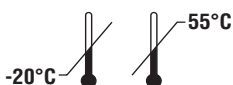
Idle draw with power up: 150 mA

Idle draw with batteries working: 75 mA

Charging power = 27V

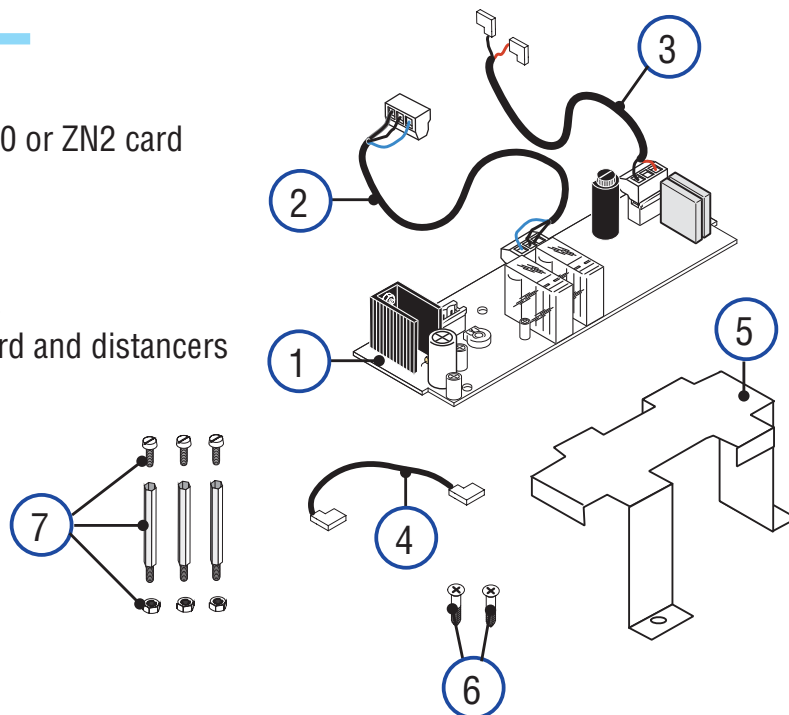
Voltage power: 24V

Charging voltage = 150 mA Max.



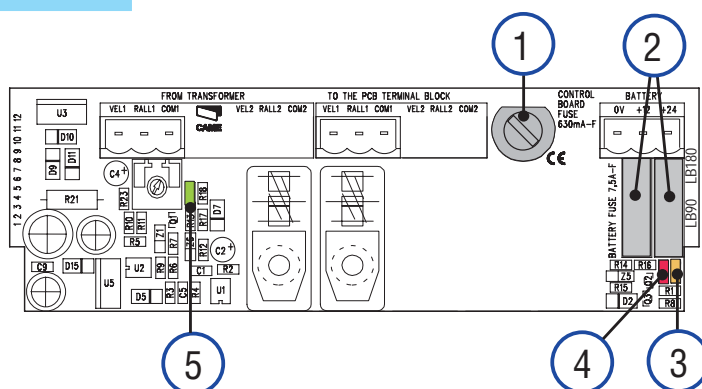
4.2 Description of parts

- 1) LB90 card
- 2) Connection cable for the ZL90 or ZN2 card
- 3) Battery cable
- 4) Batteries' connecting cable
- 5) Battery rack
- 6) Battery rack securing screws
- 7) Nuts and bolts to secured card and distancers



4.3 Main components of the LB90 card

- 1) Card fuse 630 mA
- 2) Battery fuse 7,5 A
- 3) Yellow led: batteries working
- 4) Red led: batteries down
- 5) Green led: line voltage up



5 Installation

5.1 Preliminary checks

⚠ Every time you connect or disconnect the card, cut the main power supply to the system and disconnect the batteries.

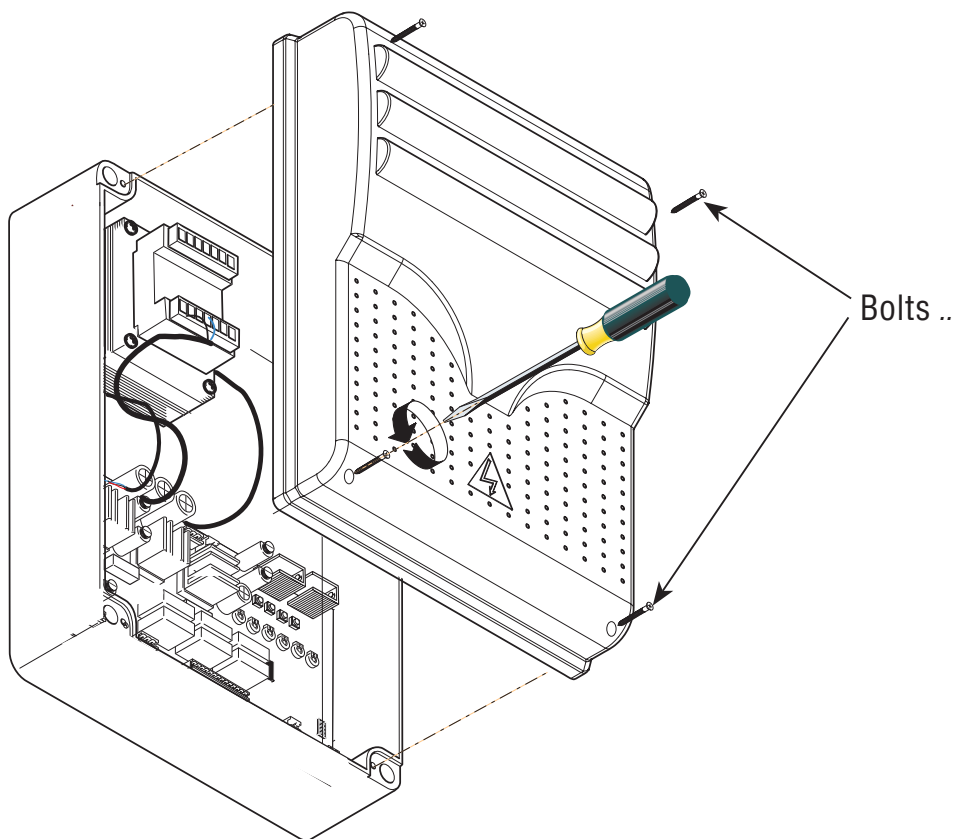
5.2 Tools and materials

Make sure you have all the tools and materials you will need for the installation at hand to work in total safety and compliance with the current standards and regulations. Following are some example drawings.

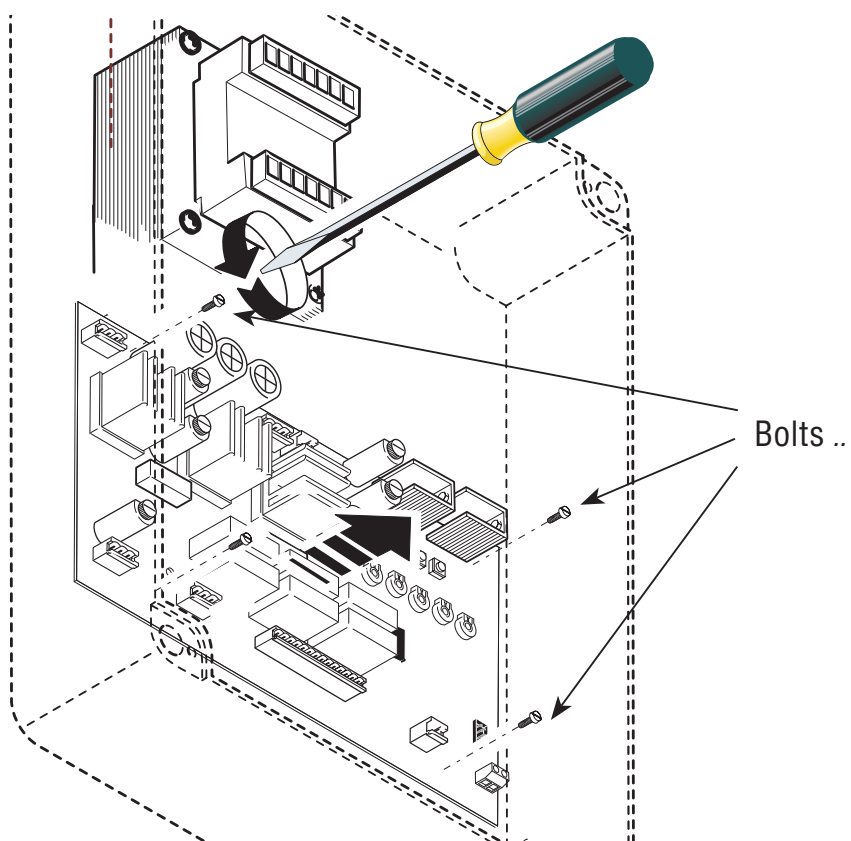


5.3 Mounting and electrical connection to the ZL90 panel

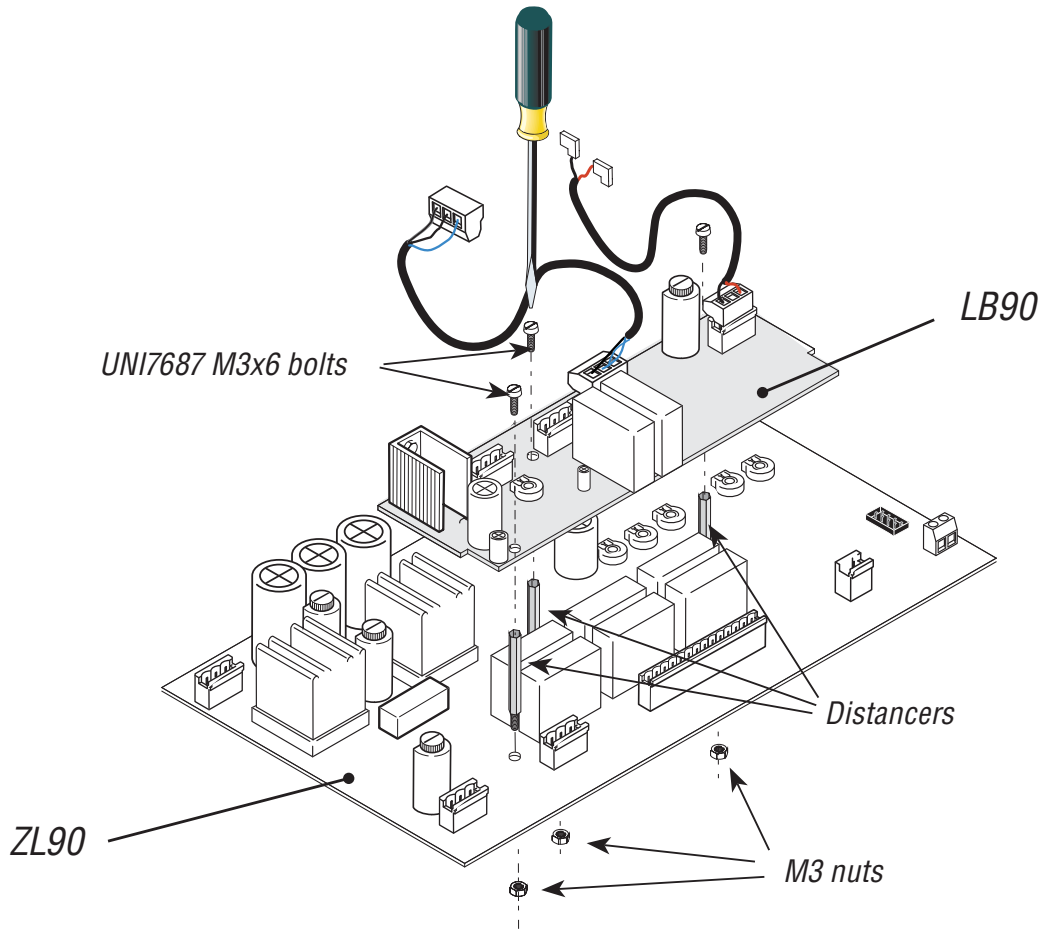
- Remove the cover to the container.



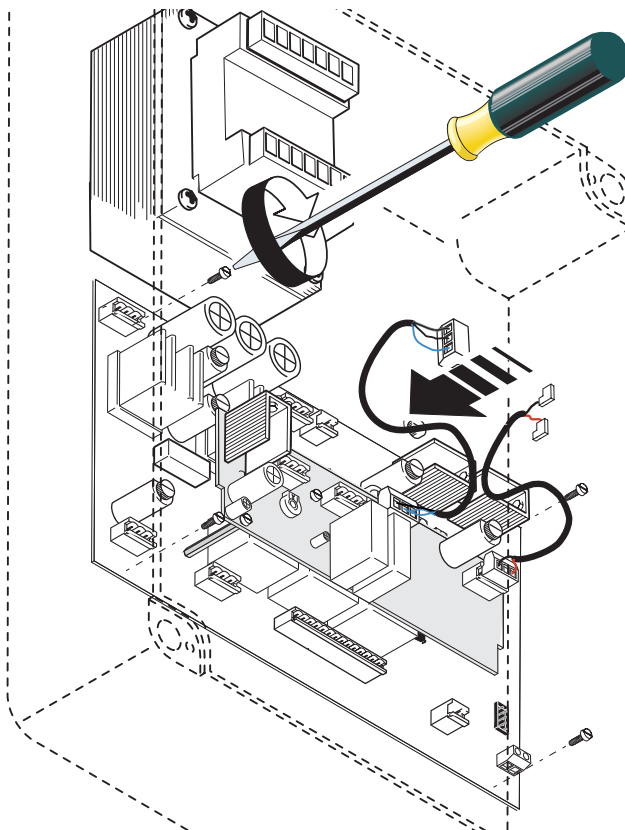
- Remove the ZL90 card by removing the four screws.



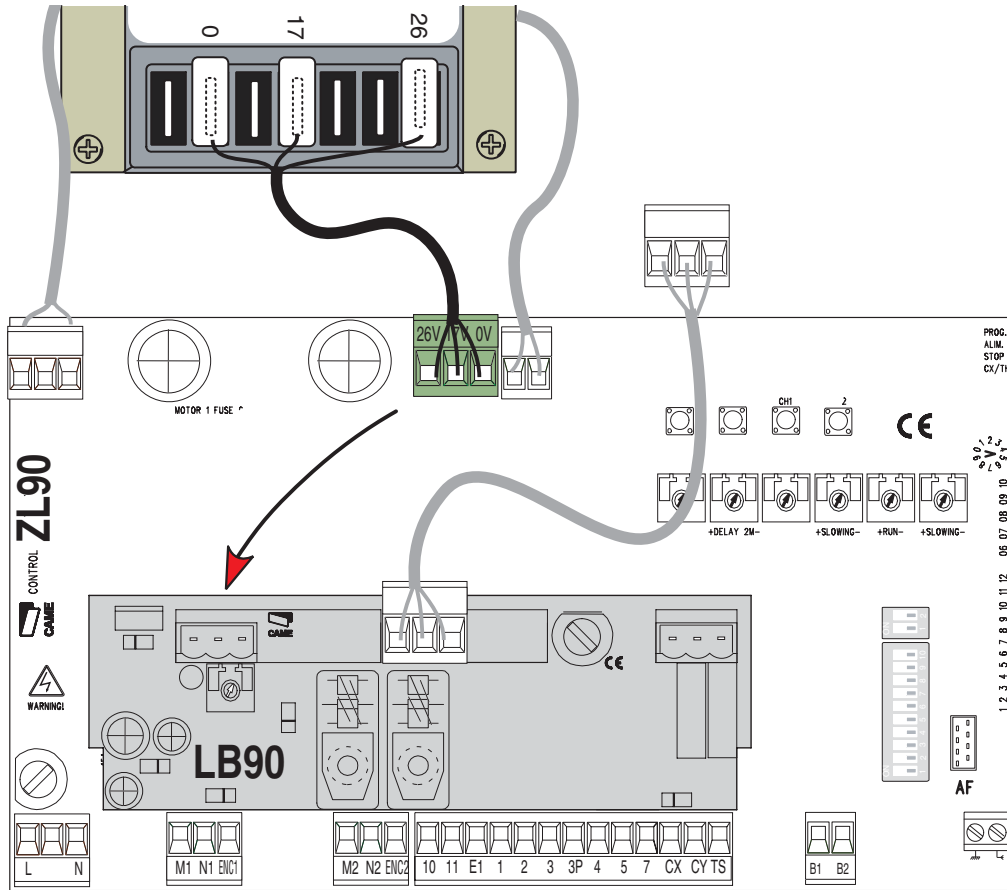
- Affix the LB90 card atop the electronic card making sure the holes match using the distancers, nuts and bolts supplied.



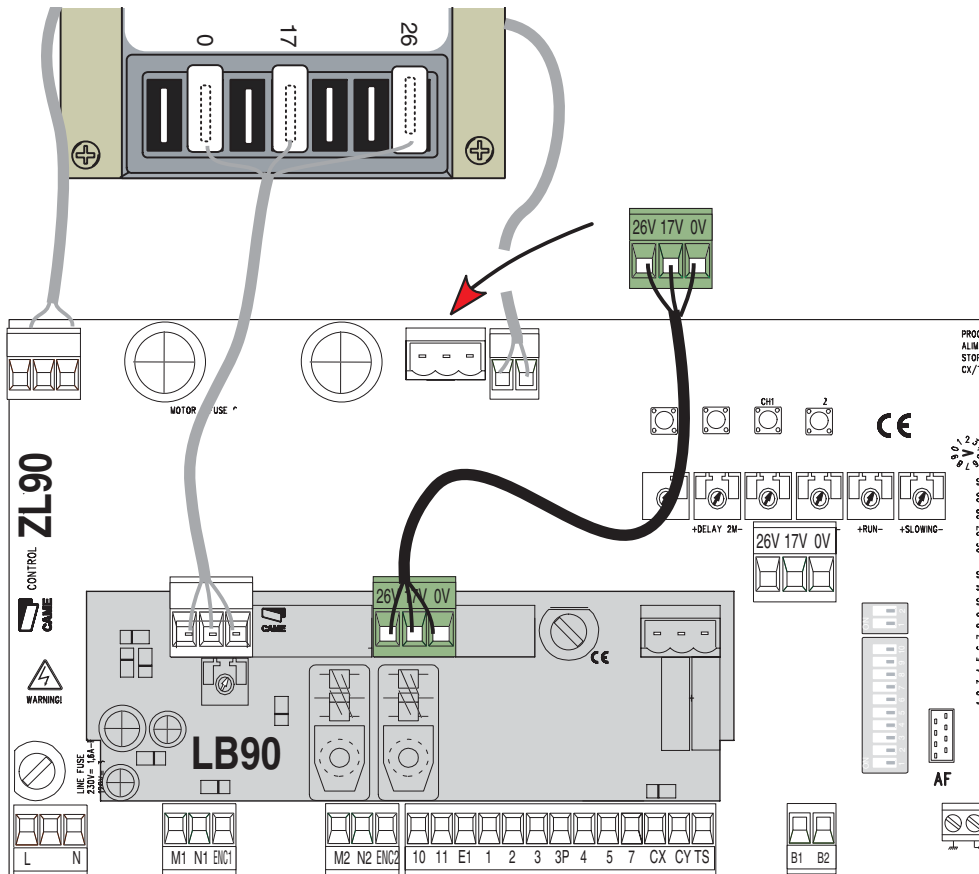
- Secure the ZL90 card in the container.



- Remove the terminal board from the ZL90 card's transformer and insert it into the LB90 card's free slot (VELL1-RALL1-COM1 from transformer).

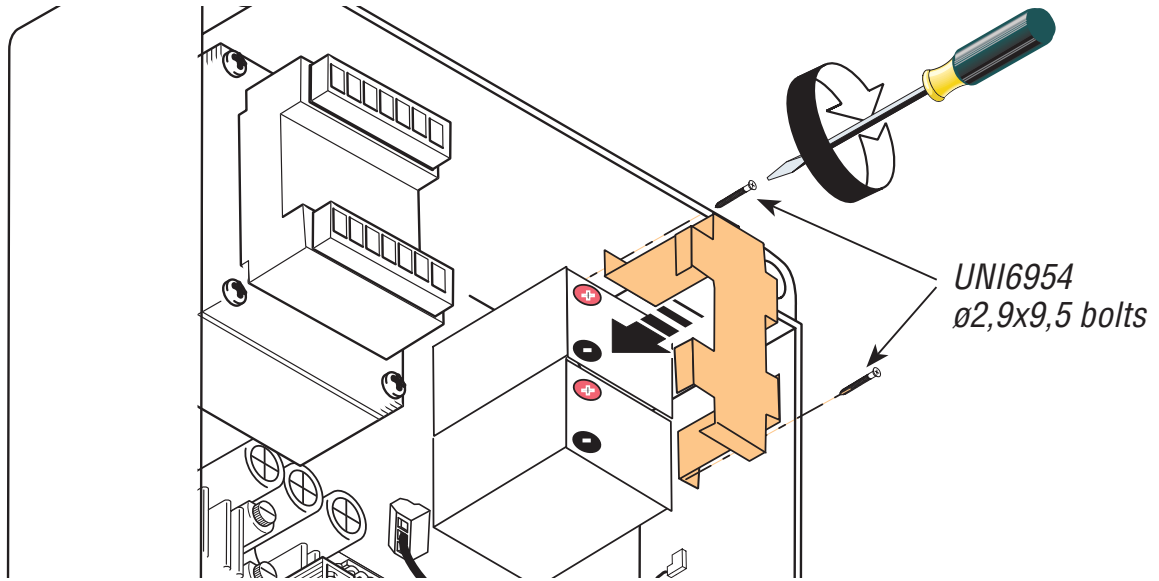


- Connect the card by inserting the LB90's terminal cable into the ZL90's terminal free slot.

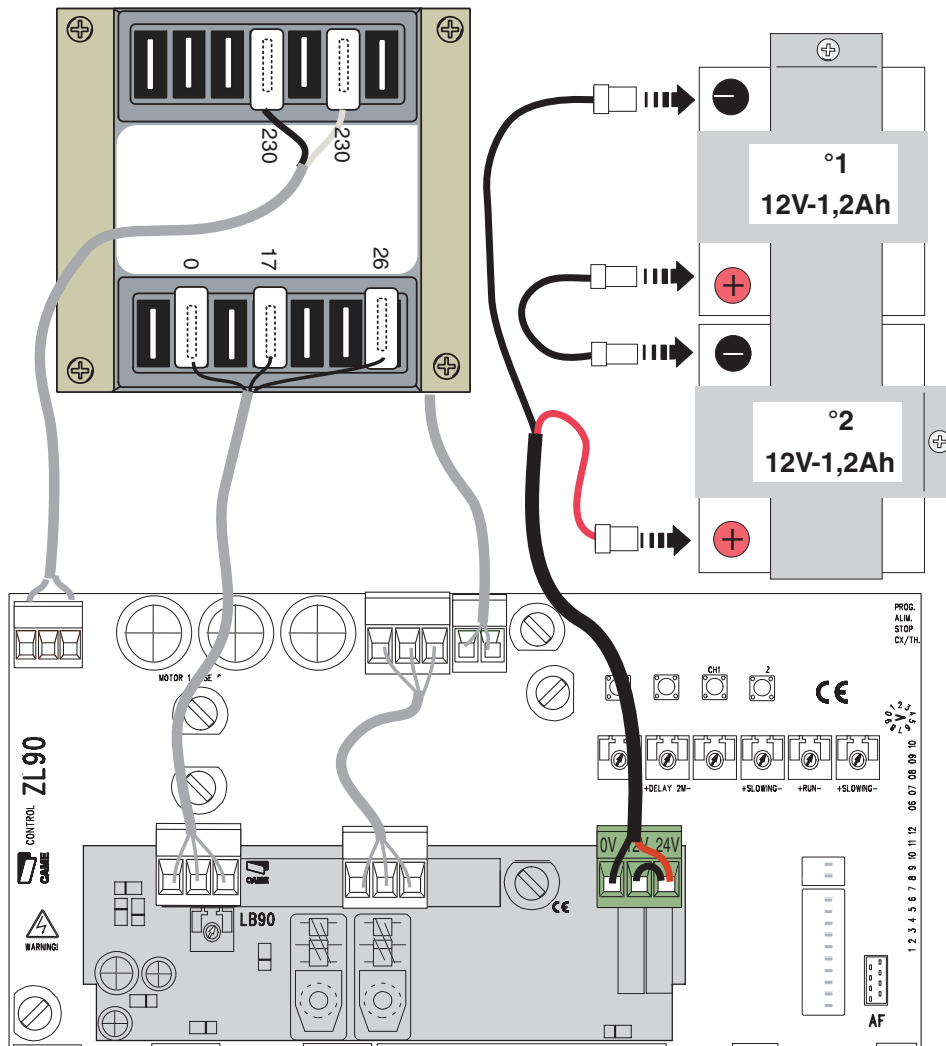


The data and information shown in this manual may be changed by CAME cancelli automatici s.p.a. at any time without prior warning.

- Insert the **12V-1.2Ah** batteries (not supplied) into the container, secure them using the rack and self-threading screws.
- Note: the 12V-1.2Ah batteries power the gearmotors for just one emergency run. To increase the number of runs you will need to install 7Ah batteries in an external container. This involves increased recharging times.



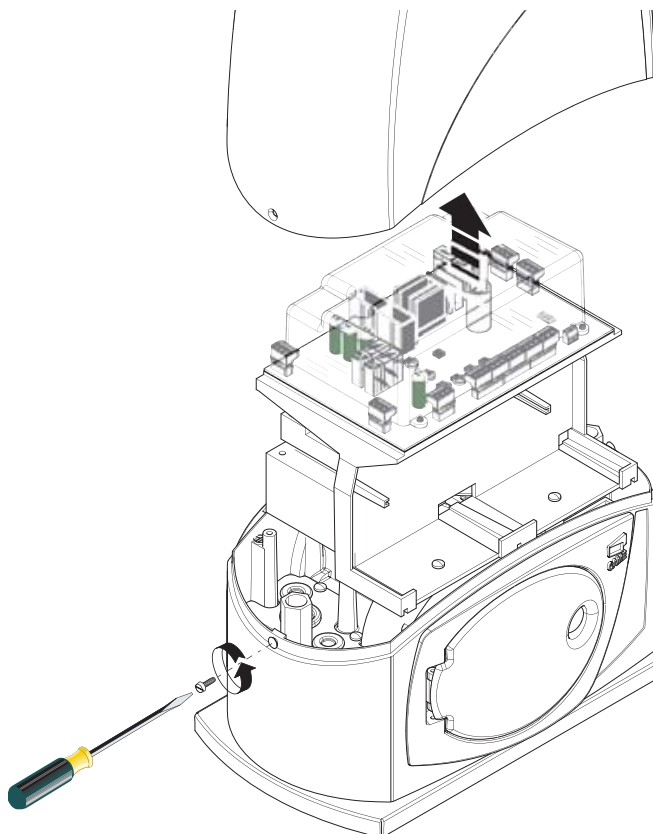
- Connect the LB90 card to the batteries using the supplied cable with connectors. Insert the plug with the black wire to the (neg (-) pole) into one of the two batteries or the red one into the (pos (+) pole) of the other one. Connect the free poles to the supplied batteries' connecting cable.



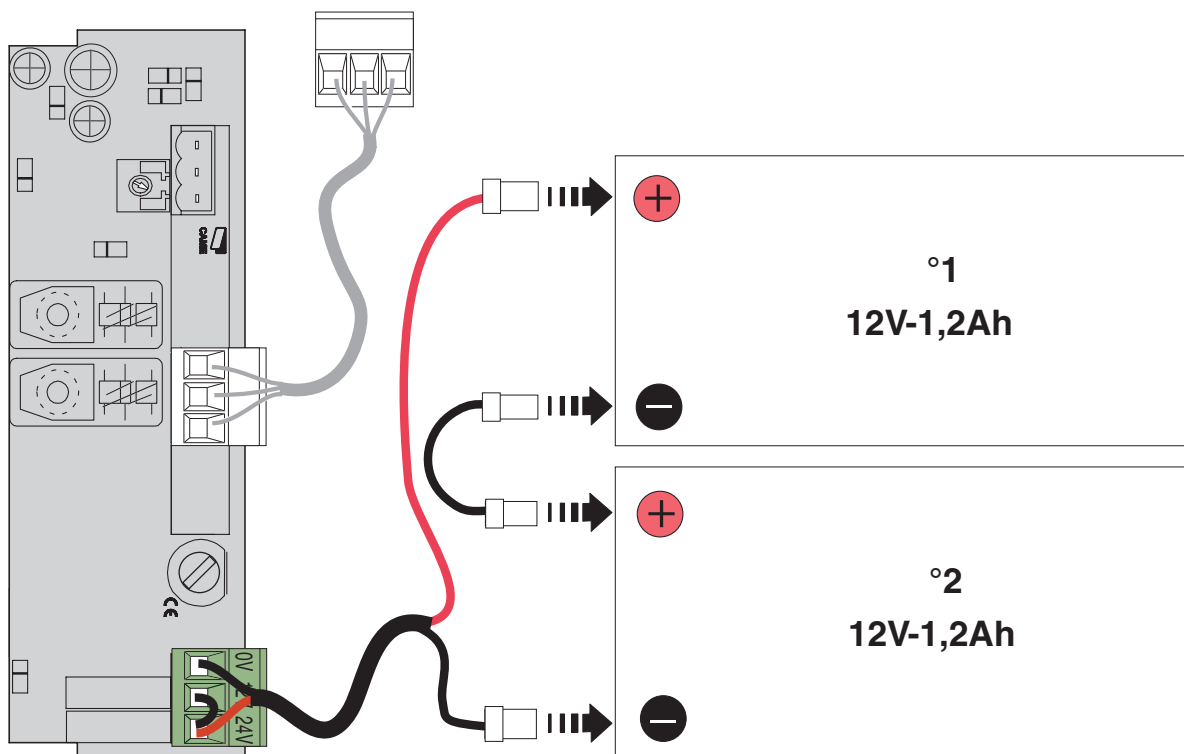
- Before powering up the system, secure the protective cover.

5.3 Mounting and electronically connecting to the ZN2 panel

- Remove the gearmotor cover.

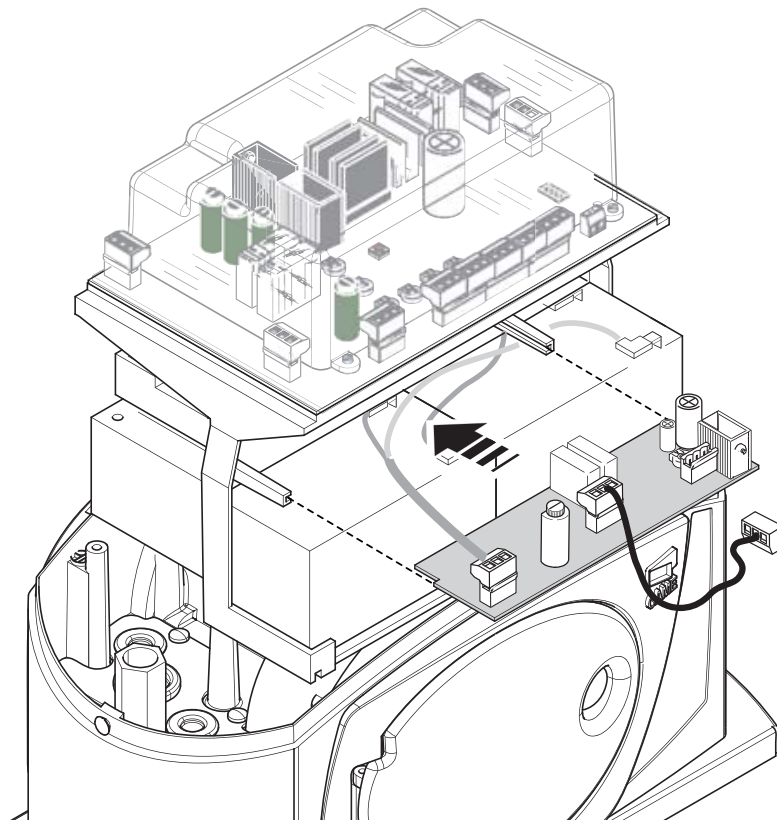
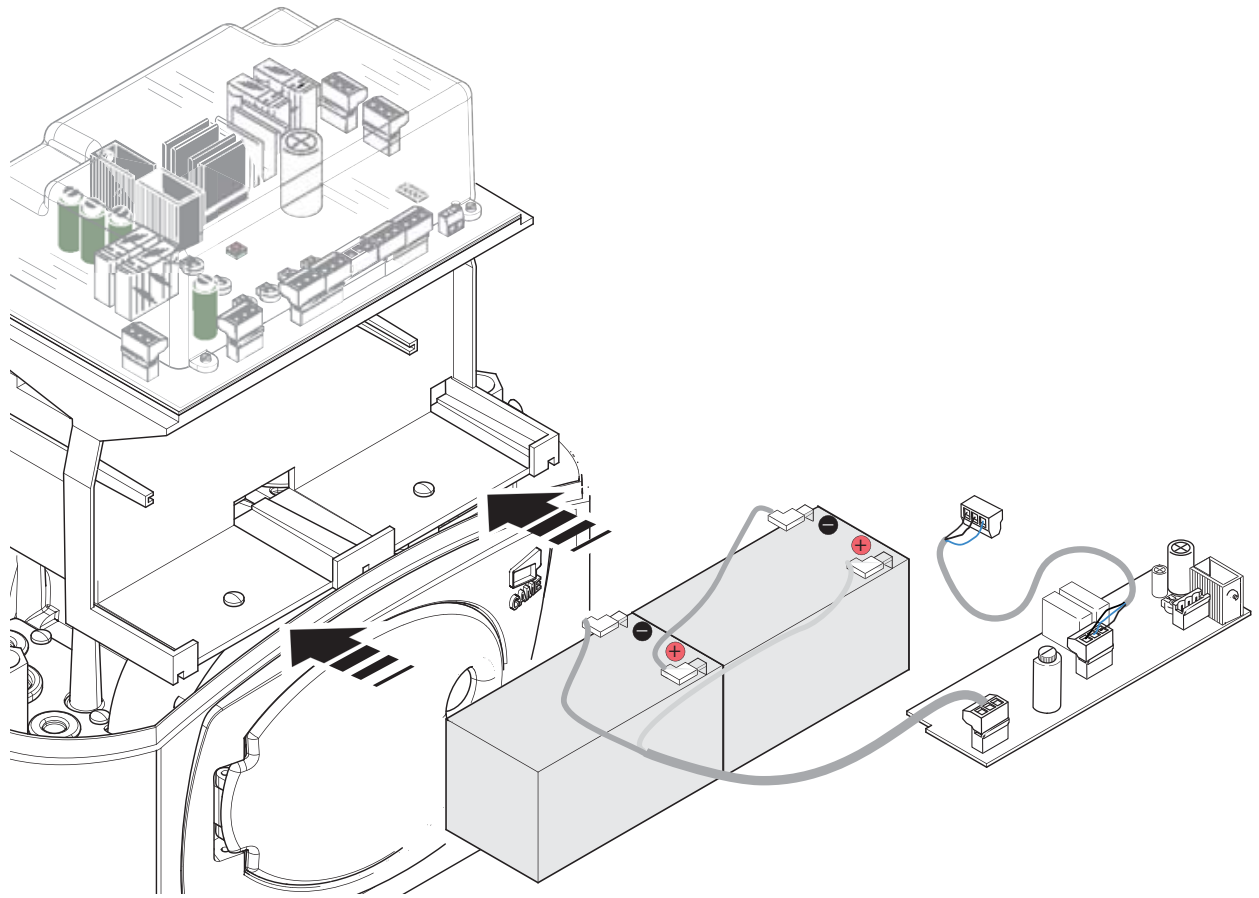


- Connect the LB90 card to the batteries (not supplied) using the supplied cable with connectors. Insert the plug with the black wire to the (neg (-) pole) into one of the two batteries or the red one into the (pos (+) pole) of the other one. Connect the free poles to the supplied batteries' connecting cable.

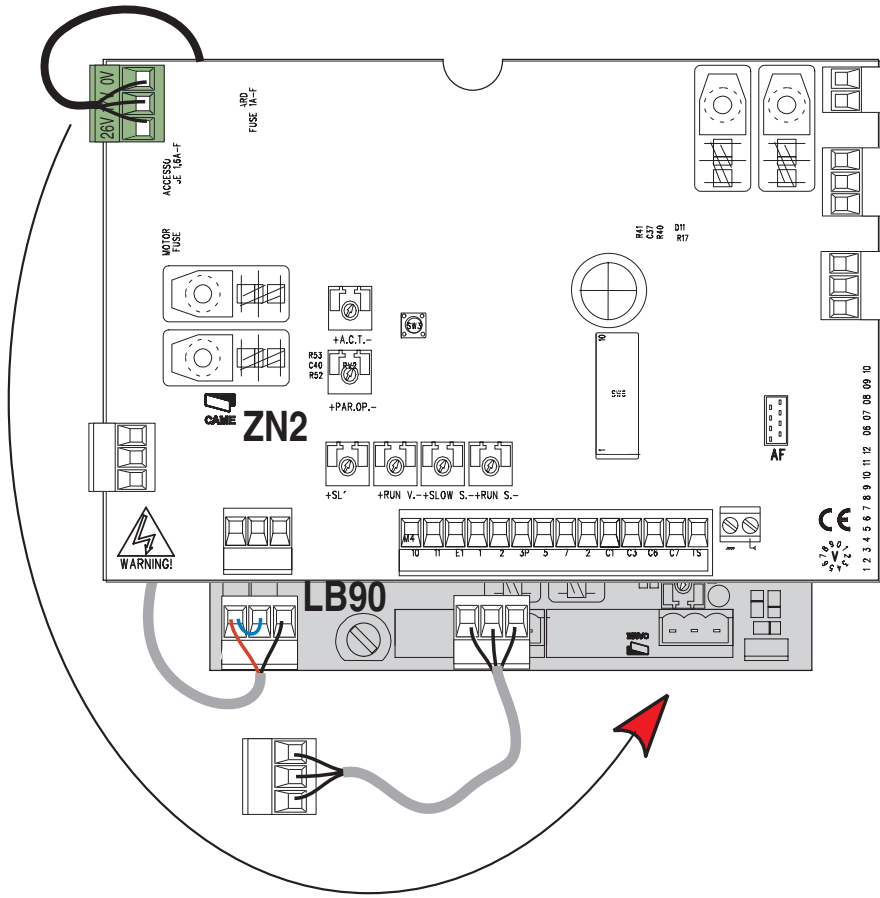


The data and information shown in this manual may be changed by CAME cancelli automatici s.p.a. at any time without prior warning.

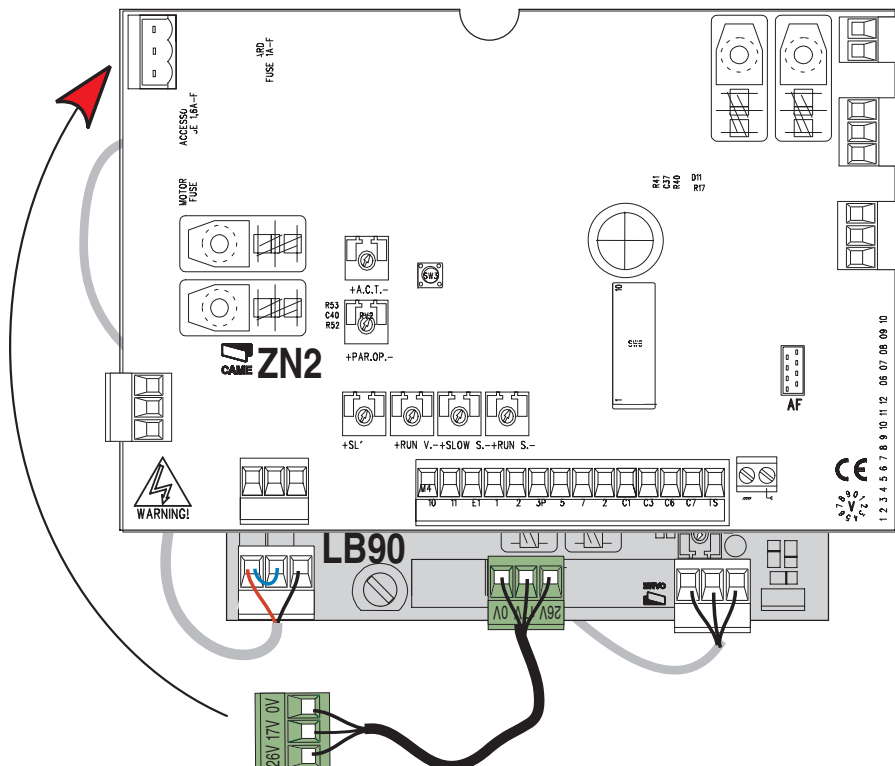
- To simplify the procedure insert the batteries in the battery-support and then insert the LB90 card.



- Remove the (26V-17V-0V) transformer terminal from the ZN2 electronic card and insert it into the free (VELL1-RALL1-COM1 from transformer) slot of the LB90 card.




- Connect the card by inserting the LB90 card's terminal- fitted cable into the free slot on the ZN2 card's terminal.




- Before powering up the system, secure the protective cover.

The data and information shown in this manual may be changed by CAME cancelli automatici s.p.a. at any time without prior warning.

6 Phasing out and disposal

 Our products are made of different materials. The majority of these (aluminium, plastic, iron, and electric cables) are considered solid urban waste. As such they can be recycled by certified centres after proper collection.

 Other components (such as electronic cards, batteries and transmitters) constitute environmental hazards. They must thus be turned in to specialised firms for their processing and disposal.

7 Maker's statement



MANUFACTURER'S DECLARATION OF CONFORMITY

Pursuant to annex II B of the Machinery Directive 98/37/EC



CAME Cancelli Automatici S.p.A.
via Martiri della Libertà, 15
31030 Dosson di Casier - Treviso - ITALY
tel (+39) 0422 4940 - fax (+39) 0422 4941
internet: www.came.it - e-mail: info@came.it

EN 13241-1 EN 12635 EN 61000-6-2
EN 12453 EN 12978 EN 61000-6-3
EN 12445 EN 60335-1 EN 60204-1

Declares under its own responsibility that the equipments for automatic garage doors and gates listed below:

LB90

... comply with the National Law related to the following European Directives and to the applicable parts of the following Standards.

98/37/CE - 98/79/CE	MACHINERY DIRECTIVE
98/336/CEE - 92/31/CEE	ELECTROMAGNETIC COMPATIBILITY DIRECTIVE
73/23/CEE - 93/68/CE	LOW VOLTAGE DIRECTIVE
89/106/CEE	CONSTRUCTION PRODUCTS DIRECTIVE

IMPORTANT WARNING!

Do not use the equipment specified here above, before completing the full installation In full compliance with the Machinery Directive 98/37/EC

MANAGING DIRECTOR
Mr. Andrea Menuzzo

Reference code to request a true copy of the original: **DDF B EN A001d**

CAME UNITED KINGDOM LTD
UNIT 3, ORCHARD BUSINESS PARK TOWN
STREET, SANDIACRE
NOTTINGHAM - NG10 5BP - U.K.
Tel 0044 115 9210430
Fax 0044 115 9210431

